

# ACX 4



## Performance features

- » External compact power supply unit, 230 V AC
- » For controlling 24 V DC drives
- » For controlling 24 V DC BSY+ drives
- » BSY+ bus signals can be looped through
- » Up to 4 A total drive current
- » Activation, e.g. using 230 V AC ventilation button
- » Surface-mounted design

## Accessories

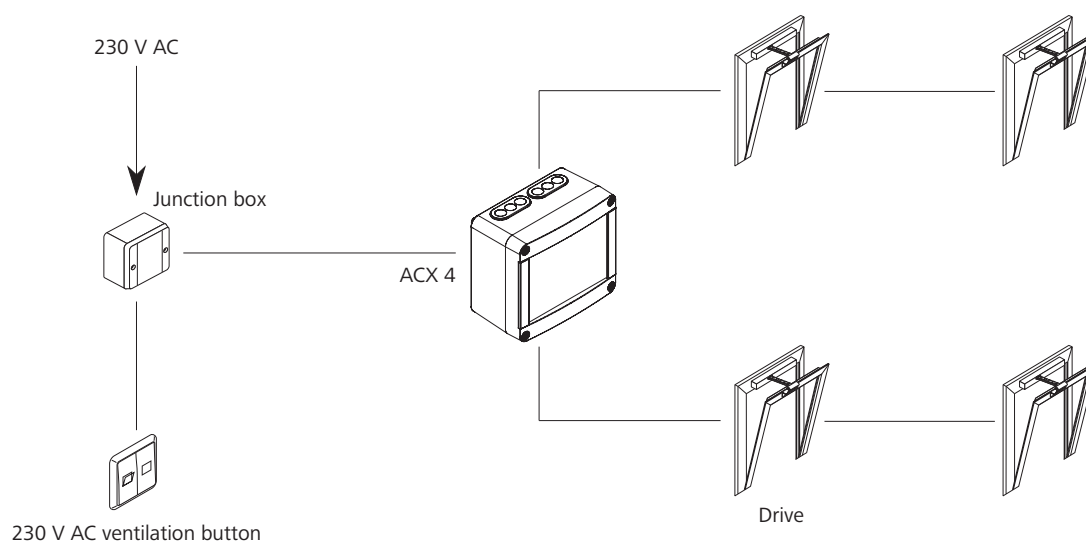
Operation elements



Weather sensors



## Example of application



## Technical data

	ACX 4
Supply	230 V AC / 50 Hz / 147 VA
Output	24 V DC / 4 A
Mode of operation	Short-time duty 20 % duty cycle
Type of protection	IP 50
Temperature range	0 °C ... +60 °C
Housing	Plastic
Colour	Light grey (~ RAL 7035)
W x H x D	172 x 151 x 95 mm
Weight	2.30 kg

## Design

Type	Art. No.
ACX 4	22.969.30