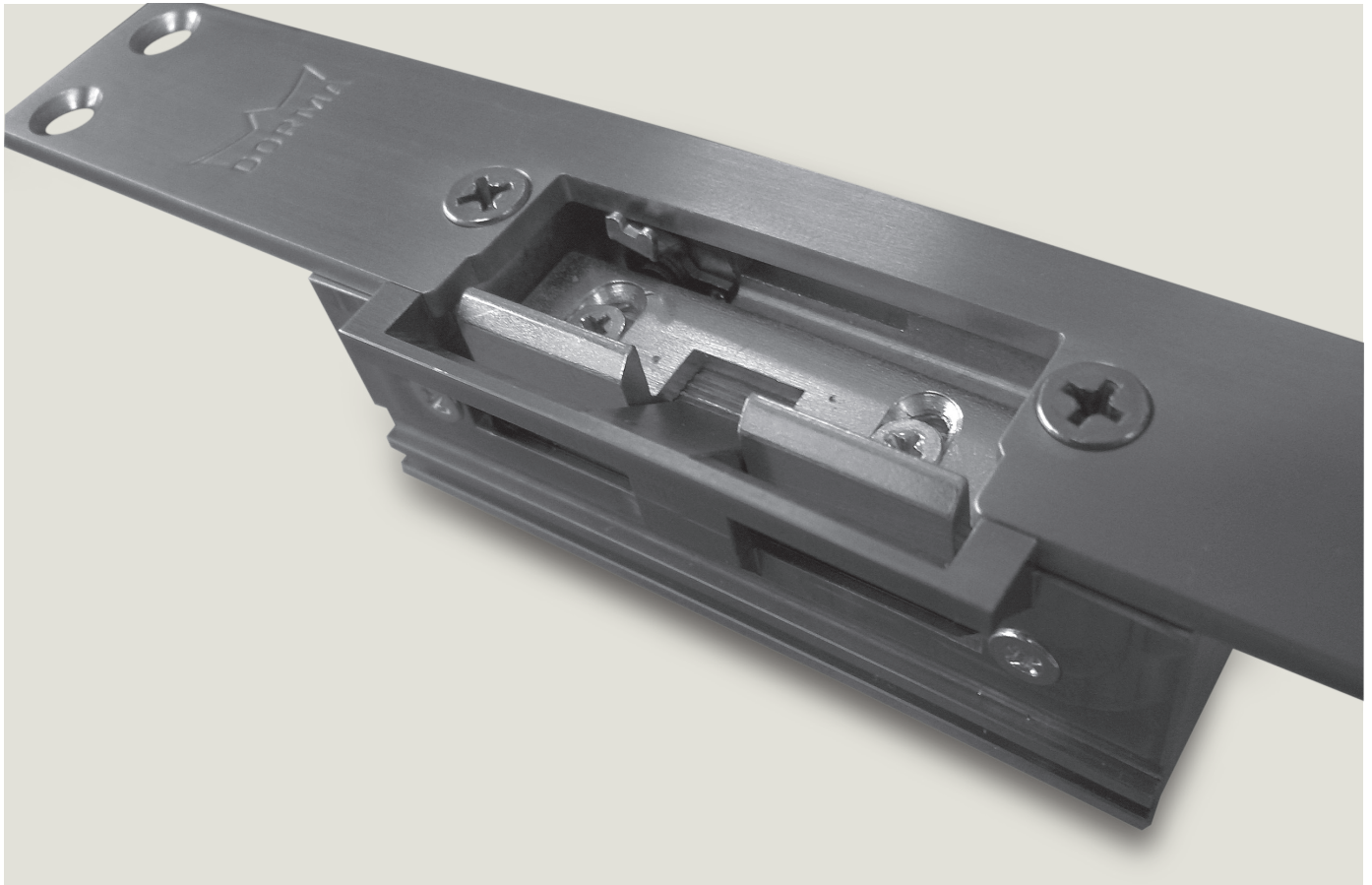


Electric Strikes



Access at the push of a button

dormakaba electric strikes ensure door security in private, public and commercial premises, are suitable for use with many different locks and door Types and are available in all conventional operating voltages.

Whether for standard doors, fire and smoke check doors or for doors in emergency and escape routes, you will be able to find the right model to match your particular requirements – all quality-assured by dormakaba.

Benefits

- For over-rebated and flush-closing doors
- Modular construction system ensures flexibility
- Stainless steel strike plates
- Adjustable latch ensures optimal alignment to existing structural conditions
- Thanks to the Easy Adapt concept for electric strikes of the series Basic, Basic-Safe, Smoke, Fire 447 and Fire 448 there is no need for disruptive recesses in the door frame for the electric strike latch, so the door seal is left unbroken
- Fail-secure and fail-safe models
- Series Fire 447 and Fire 448 for fire and smoke check doors with general approval covering any position
- Holding function, unlocking function and monitor contact depending on model

Table of contents

Electric Strikes	Data and features	4
	Dimensions	6
	Series Basic Standard electric strikes	8
	Series Basic-Radius Electric strikes with radius latch	9
	Basic-Small Doors with thermal-break profiles	10
	Series Smoke Electric Strikes for Smoke Check Doors	11
	Series Fire Electric Strikes for Fire and Smoke Check Doors	12
	Strike plates	13
	DES 400 Security electric strike	18
	Series TV 5xx Locking mechanisms	20
	Strike plates – Series TV 5xx	22
	Accessories	28

Data and features

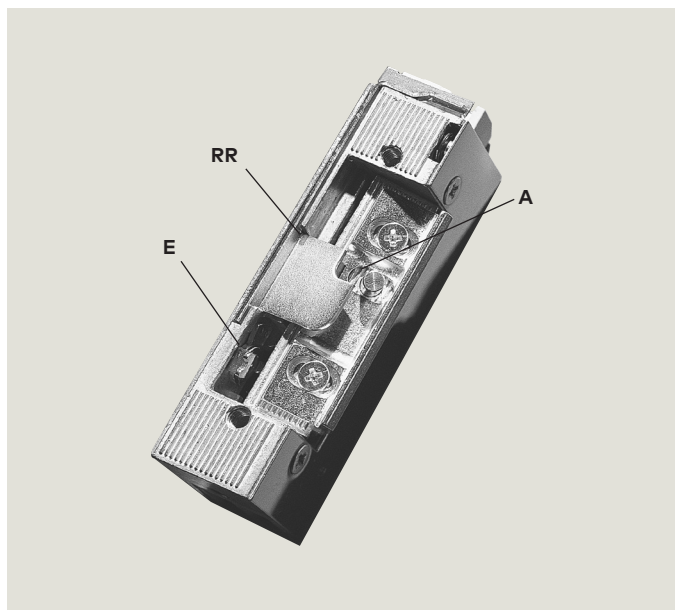
	Electric Strikes Series										
	Basic	Lucky Basic 448	Basic-Safe	Basic-Radius	Basic-Radius Safe	Basic-Small	Smoke	Lucky Smoke 448	Fire 447	Lucky Fire 448	DES 400
Standard doors	●	●	●	●	●	-	-	-	-	-	-
Doors with thermal-break profiles	-	-	-	-	-	●	-	-	-	-	-
Smoke protection doors	-	-	-	-	-	-	●	●	●	●	-
Fire protection doors	-	-	-	-	-	-	-	●	●	●	-
Symmetrical housing	●	●	●	●	●	-	●	●	●	●	●
Asymmetrical housing	-	-	-	-	-	●	-	-	-	-	-
Non-handed	●	●	●	●	●	-	●	●	●	●	●
Radius latch	-	-	-	●	●	-	-	-	-	-	-
Fail-safe model	-	-	●	-	●	-	-	-	-	-	-
Fail-secure model	●	●	-	●	-	●	●	●	●	●	-
Fail-Safe/Fail-secure switchable	-	-	-	-	-	-	-	-	-	-	●
Unlocking function (E)	●	-	-	●	-	●	-	-	-	-	-
Holding function (A)	●	-	-	●	-	-	-	-	-	-	-
monitor contact (RR)	●	●	●	●	●	-	●	●	●	●	●
Latch guide Easy Adapt	○	●	○	-	-	-	○	●	○	●	-
Anti-tamper contact	-	-	-	-	-	-	-	-	-	-	●

● = yes - = no ○ = option

In emergency and escape routes the TV5xx door locking mechanism must be used as an "electric strike".
(See pages 20).

Electric Strikes	Voltage	Current	Resistance	ED
Basic, Basic-R, Smoke, Fire 447	6-12 V	6 V AC 6 V DC 12 V AC 12 V DC	0.65 A 0.80 A 1.35 A 1.53 A	6.5 Ω
Basic, Basic-R, Smoke, Fire 447	12 V AC	12 V AC	0.44 A	18.0 Ω
Basic, Basic-Safe, Basic-R, Basic-R Safe, Smoke, Fire 447	12 V DC	12 V DC	0.22 A	51.0 Ω
Basic, Basic-Safe, Basic-R, Basic-R Safe, Smoke, Fire 447	24 V DC	24 V DC	0.13 A	170.0 Ω
Basic, Smoke, Fire 448 Lucky Strike	12-24 V DC	12 V DC 24 V DC	0.24 A 0.18 A	100 % 100 %
Basic-Small	6-12 V	6 V AC 6 V DC 12 V AC 12 V DC	0.70 A 0.76 A 1.40 A 1.50 A	7.5 Ω
DES 400	12/24 V DC	12 V DC 24 V DC	0.20 A 0.10 A	100 % 100 %

The specifications for the alternating voltage (AC) are for a frequency of 50 Hz.
The pure ohmic resistance of the coil is stated.



A = Holding function

If the electric strike lever handle is activated momentarily, the mechanism in the electric strike responds, releasing the strike until after the door has been opened. Once-off entry is possible.

E = Unlocking

A small lever switches the electric strike off. The door is fully accessible without any signalling from the electric strike.

RR = monitor contact

A floating contact supplies "Door open" / "Door closed" status signals.



Function Lucky Strike

In addition to the standard product advantages indicated above, dormakaba electric strikes featuring the Lucky Strike Module also offer the following:

- Switch-off of audible signal tone on activation
- Effective unlocking and release under pre-load
- 100% duty factor
- Multi-voltage capability: 12-24 V DC
- With the additional GL rectifier module, Lucky Strike units can also be operated with 12-24 V AC

Lucky Basic (standard-duty model)

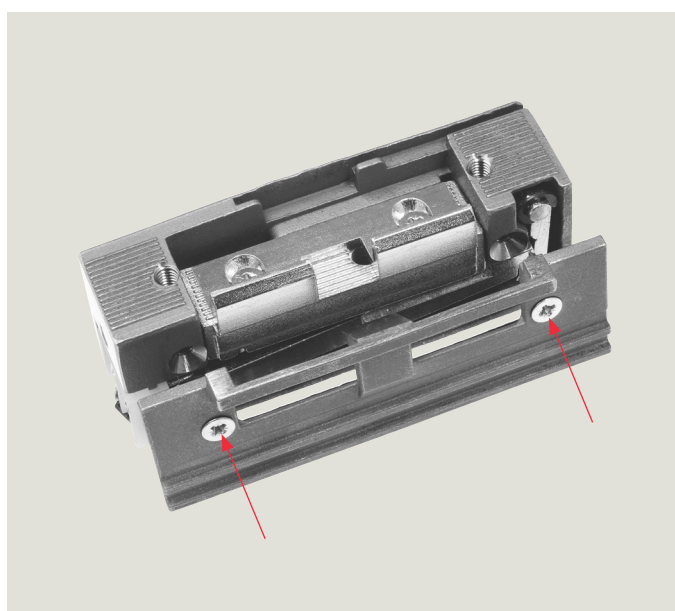
- Available as a fail-secure unit

Lucky Smoke (smoke-rated model)

- Certificate of approval as a reversible smoke-rated unit

Lucky Fire (fire-rated model)

- Certificate of approval as a reversible fire-rated unit



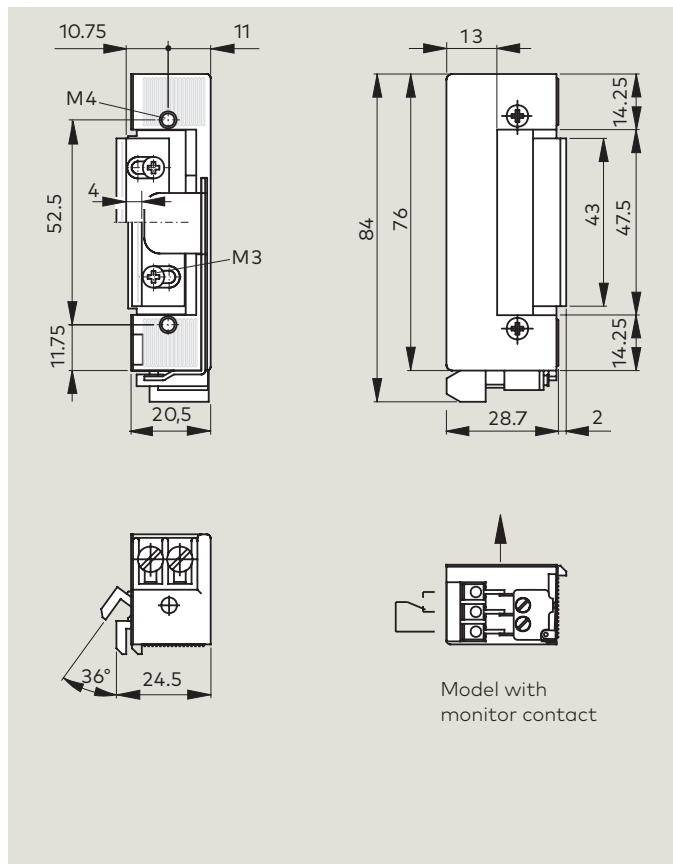
Easy Adapt

The Easy Adapt is a casing cover with a latch guide/keeper for electric strikes of the series Basic, Basic-Safe, Smoke and Fire 447/448. The cover is designed so that the lock latch is ideally guided and located without any danger of it becoming jammed. The Easy Adapt simply replaces the standard casing cover.

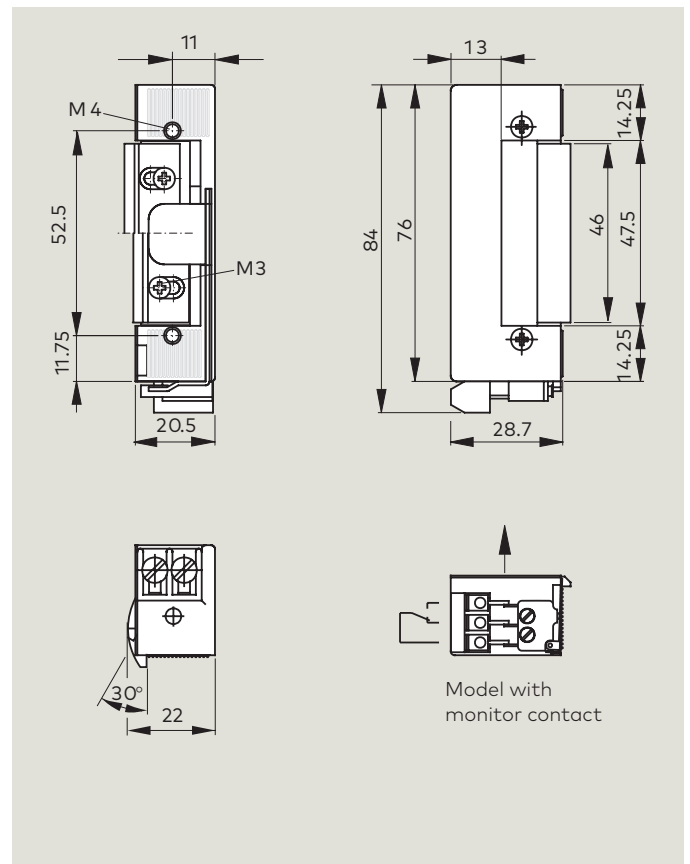
In the case of the Lucky Basic, Lucky Smoke and Lucky Fire 447/448 units, the Easy Adapt cover is part of the standard equipment.

Thanks to the Easy Adapt concept, there is no need for disruptive recesses in the door frame for the electric strike latch, so the door seal is left unbroken.

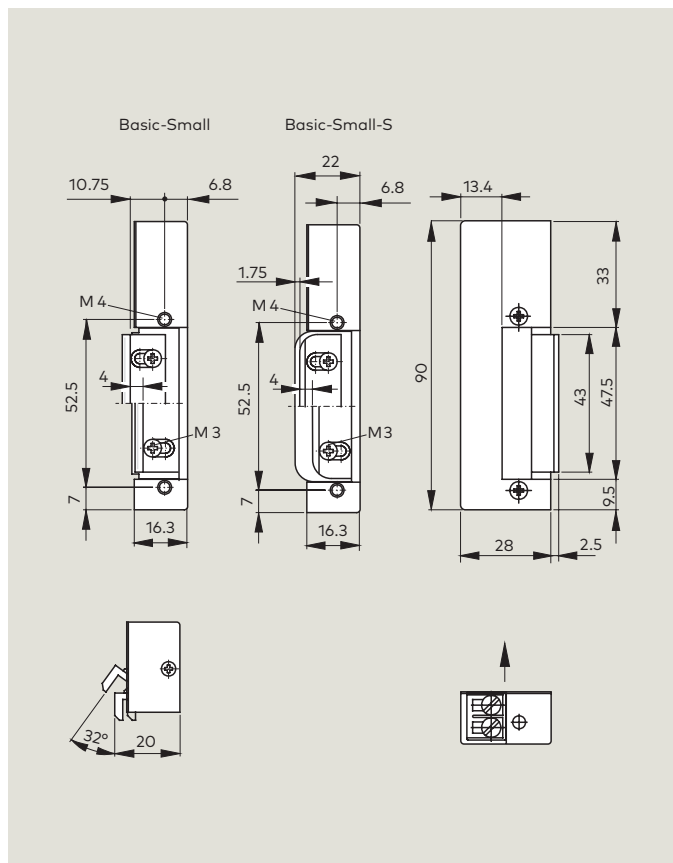
Basic / Basic-Safe / Smoke



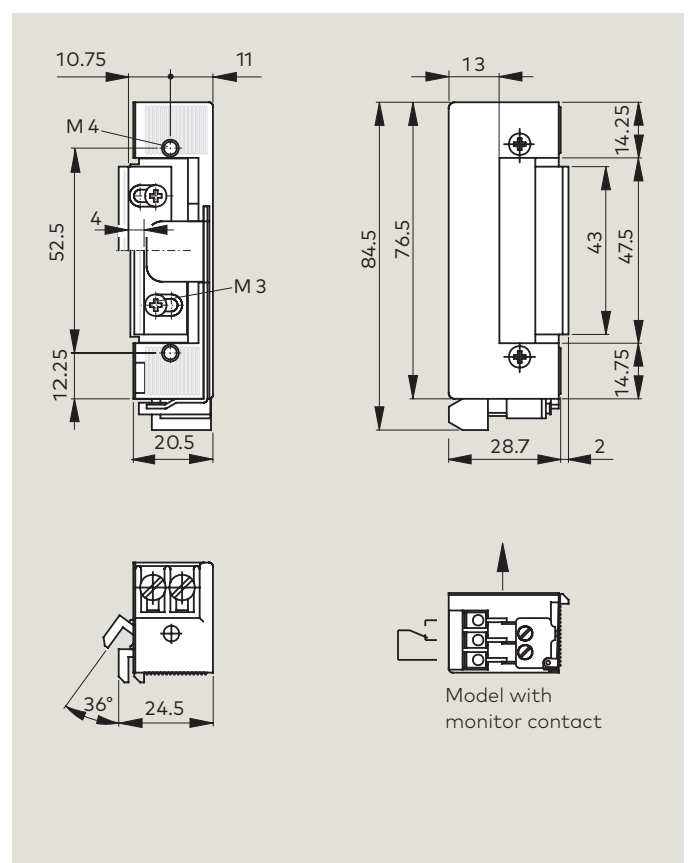
Basic-Radius / Basic-Radius Safe



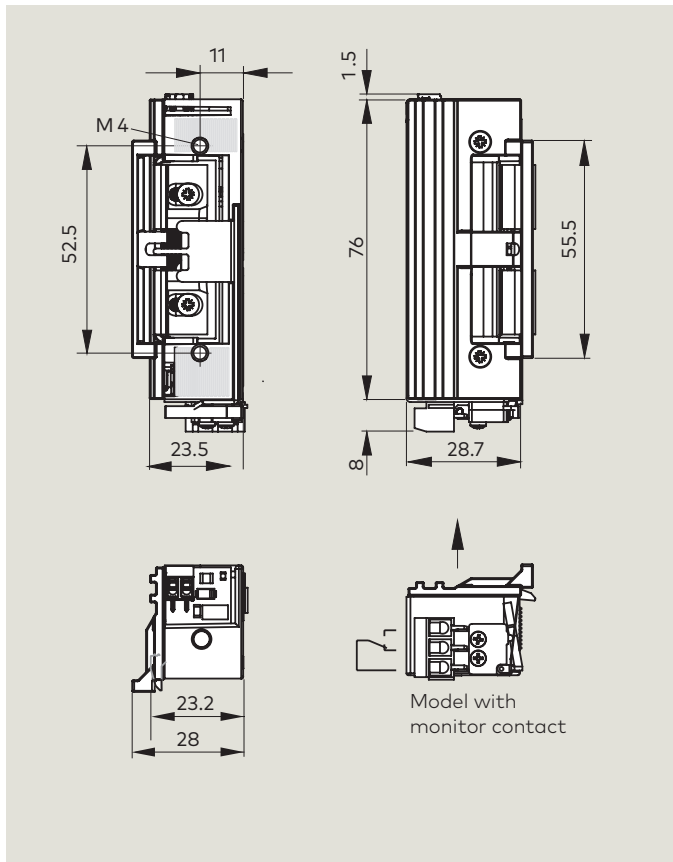
Basic-Small / Basic-Small-S



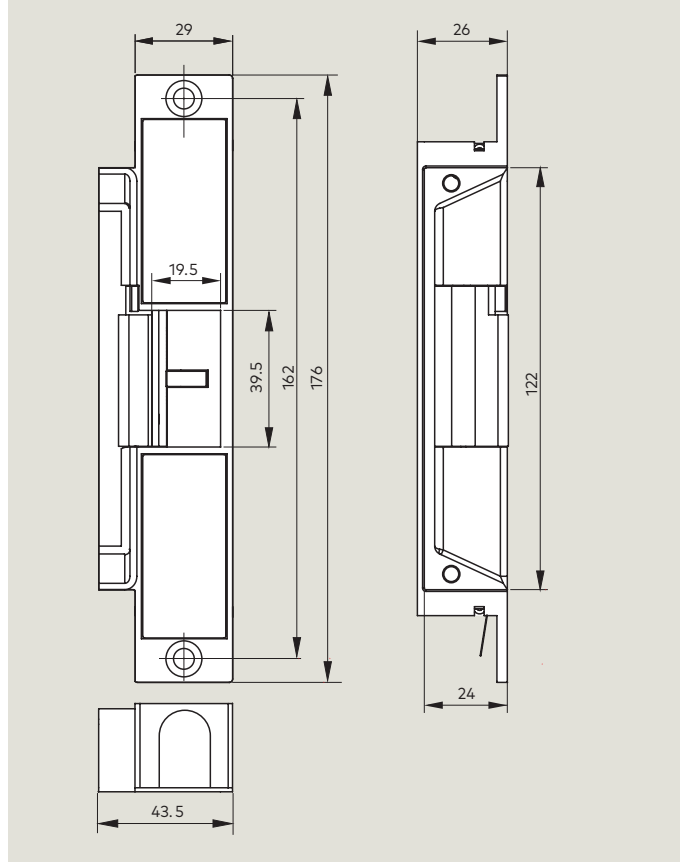
Fire 447 / Fire 448



Fire 448 + Easy Adapt



DES 400



Standard electric strikes

Series	Voltage	Unlocking function (E)	Holding function (A)	Monitor contact (RR)	Easy Adapt	Type	Order No.	
Basic	6–12 V AC/DC	–	–	–	–		15117106	
		●	–	–	–	E	15117206	
		–	●	–	–	A	15117306	
		●	●	–	–	AE	15117406	
		–	–	●	–	RR	15117506	
		●	–	●	–	E-RR	15117606	
		–	●	●	–	A-RR	15117706	
		●	●	●	–	AE-RR	15117806	
	12 V AC	–	–	–	–		15117111	
		●	–	–	–	E	15117211	
	12 V DC 100% ED	–	–	–	–		15117112	
		●	–	–	–	E	15117212	
		–	●	–	–	A	15117312	
		●	●	–	–	AE	15117412	
		–	–	●	–	RR	15117512	
		●	–	●	–	E-RR	15117612	
		–	●	●	–	A-RR	15117712	
		●	●	●	–	AE-RR	15117812	
	24 V DC 100% ED	–	–	–	–		15117124	
		●	–	–	–	E	15117224	
		–	●	–	–	A	15117324	
		●	●	–	–	AE	15117424	
		–	–	●	–	RR	15117524	
		●	–	●	–	E-RR	15117624	
		–	●	●	–	A-RR	15117724	
		●	●	●	–	AE-RR	15117824	
	Basic 448 Lucky Strike	12–24 V DC 100% ED	–	–	–	–		15117148
			–	–	●	–	RR	15117548
–			–	–	●		15117147	
–			–	●	●	RR	15117547	
Basic 448 Lucky Strike incl. GL-Module	12–24 V AC/DC 100% ED	–	–	–	–		15117144	
		–	–	●	–	RR	15117544	
		–	–	–	●		15117143	
		–	–	●	●	RR	15117543	
Basic-Safe	Fail-Safe 12 V DC 100% ED	–	–	–	–		15137112	
		–	–	●	–	RR	15137512	
		–	–	–	–		15137124	
	24 V DC 100% ED	–	–	●	–	RR	15137524	

Contact rating: max. 48 V, 1 A (RR model)

● = yes – = no

Specification text

Electric strike with adjustable latch, for over-rebated and flush-closing doors, non-handed.

Model: Basic

Fail-secure

- 6–12 V AC/DC
- 12 V AC
- 12 V DC
- 24 V DC
- Lucky Strike 12–24 V DC
- Lucky Strike 12–24 V AC/DC incl. GL-Module

- with holding function
- with unlocking function
- with monitor contact

Model: Basic-Safe

Fail-Safe

- 12 V DC
- 24 V DC
- with monitor contact

Accessories

(to be ordered separately)

Easy Adapt
(see page 30)

Stainless steel strike plate
(see page 13)

Lucky Strike Platine
(see page 30)

Electric strikes with radius latch

Series	Voltage	Unlocking function (E)	Holding function (A)	Monitor contact (RR)	Easy Adapt	Type	Order No.
Basic-Radius	6-12 V AC/DC	-	-	-	-		15111106
		●	-	-	-	E	15111206
		-	●	-	-	A	15111306
		●	●	-	-	AE	15111406
		-	-	●	-	RR	15111506
	12 V DC 100% ED	-	-	-	-		15111112
		-	-	●	-	RR	15111512
		-	-	-	-		15111124
		-	-	●	-	RR	15111524
		-	-	●	-	RR	15111524
Basic-Radius Safe	12 V DC 100% ED	-	-	-	-		15131112
		-	-	●	-	RR	15131512
	24 V DC 100% ED	-	-	-	-		15131124
		-	-	●	-	RR	15131524

Contact rating: max. 48 V, 1 A (RR model)

● = yes - = no

Specification text

Electric strike with adjustable latch, for over-rebated and flush-closing doors, non-handed.

Model: Basic-Radius

Fail-secure

- 6-12 V AC/DC
- 12 V DC
- 24 V DC

- with holding function
- with unlocking function
- with monitor contact

Model: Basic-Radius Safe

Fail-Safe

- 12 V DC
- 24 V DC
- with monitor contact

Accessories

(to be ordered separately)

Stainless steel strike plate
(see page 13)

Asymmetric electric strikes

Series	Voltage	LH/ ISO 6	RH/ ISO 5	Unlocking function (E)	Holding function (A)	Easy Adapt	Type	Order No.		
Basic-Small	6-12 V AC/DC	●	-	-	-	-	L	15119106		
				●	-	●	-	-	LE	15119206
				-	●	-	-	-	R	15118106
				-	●	●	-	-	RE	15118206
Basic-Small-S	6-12 V AC/DC	●	-	●	-	-	LE	15121206		
				-	●	●	-	-	RE	15120206

● = yes - = no

Specification text

Electric strike of compact design for thermal-break profiles, with adjustable latch, for over-rebated and flush-closing doors.

Model:

- Fail-secure
 6-12 V AC/DC
 ISO 6
 ISO 5
 with unlocking function

Basic-Small-S

- with lip seal for covering the recess in the profile
 Fail-secure
 6-12 V AC/DC
 ISO 6
 ISO 5
 with unlocking function

Accessories

(to be ordered separately)

Stainless steel strike plate (see page 13)

Electric strikes for smoke check doors

Series	Voltage	Unlocking function (E)	Holding function (A)	Monitor contact (RR)	Easy Adapt	Type	Order No.
Smoke	6–12 V AC/DC	–	–	–	–		15117006
		–	–	●	–	RR	15117906
	12 V AC	–	–	–	–		15117011
		–	–	●	–	RR	15117911
	12 V DC 100% ED	–	–	–	–		15117012
		–	–	●	–	RR	15117912
Smoke 448 Lucky Strike	24 V DC 100% ED	–	–	–	–		15117024
		–	–	●	–	RR	15117924
	12–24 V DC 100% ED	–	–	–	–		15117048
		–	–	●	–	RR	15117948
	–	–	–	●		15117047	
	–	–	●	●	RR	15117947	
Smoke 448 Lucky Strike incl. GL-Module	12–24 V AC/DC 100% ED	–	–	–	–		15117044
		–	–	●	–	RR	15117944
		–	–	–	●		15117043
		–	–	●	●	RR	15117943

Contact rating: max. 48 V, 1 A (RR model)

● = yes – = no

Advice

Security electric strikes may only be used in conjunction with door closers in accordance with DIN EN 1154, DIN 18263-1 and DIN 18263-4 on swing/pivoting doors. In the case of doors that exert increased pressure on the electric strike latch in the closed position as a result of design factors (e.g. seals), the models must be operated using alternating current (AC). This applies in particular if the door is equipped with a swing door operator.

F Approval certification

The dormakaba security electric strike has been tested by the State Material Testing Authority of North Rhine-Westphalia, Germany for use with smoke check doors (general approval covering any position). An approval certificate is also required for the smoke check door to be used with the respective dormakaba door strike..

Specification text

Security electric strike for use on fire and smoke check doors, with adjustable latch, for over-rebated and flush closing doors, non-handed.

Model: Smoke

- Fail-secure
- 6–12 V AC/DC
 - 12 V AC
 - 12 V DC
 - 24 V DC
 - Lucky Strike 12–24 V DC
 - Lucky Strike 12–24 V AC/DC incl. GL-Module

- with monitor contact

Accessories

(to be ordered separately)

Easy Adapt
(see page 30)

Stainless steel strike plate
(see page 13)

Electric strikes for fire and smoke check doors

Series	Voltage	Unlocking function (E)	Holding function (A)	Monitor contact (RR)	Easy Adapt	Type	Order No.
Fire 447	6–12 V AC/DC	–	–	–	–		15147106
		–	–	●	–	RR	15147506
	12 V DC 100% ED	–	–	–	–		15147112
		–	–	●	–	RR	15147512
Fire 448 Lucky Strike	24 V DC 100% ED	–	–	–	–		15147124
		–	–	●	–	RR	15147524
	12–24 V DC 100% ED	–	–	–	–		15147148
		–	–	●	–	RR	15147548
Fire 448 Lucky Strike incl. GL-Module	12–24 V AC/DC 100% ED	–	–	–	●		15147147
		–	–	●	●	RR	15147547
		–	–	–	–		15147144
Fire 448 Lucky Strike incl. GL-Module	12–24 V AC/DC 100% ED	–	–	–	–		15147144
		–	–	●	–	RR	15147544
		–	–	–	●		15147143
		–	–	●	●	RR	15147543

Contact rating: max. 48 V, 1 A (RR model)

● = yes – = no

Advice

Security electric strikes may only be used in conjunction with door closers in accordance with DIN EN 1154, DIN 18263-1 and DIN 18263-4 on swing/pivoting doors.

In the case of doors that exert increased pressure on the electric strike latch in the closed position as a result of design factors (e.g. seals), the models must be operated using alternating current (AC). This applies in particular if the door is equipped with a swing door operator.

F Approval certification

The dormakaba Fire 447 and Fire 448 security electric strike has been tested by the State Material Testing Authority of North Rhine-Westphalia, Germany for use with fire and smoke check doors (general approval covering any position). An approval certificate is also required for the fire and smoke check door to be used with the respective dormakaba door strike.

Specification text

Security electric strike for use on fire and smoke check doors, with adjustable latch, for over-rebated and flush closing doors, non-handed.

Model: Fire 447/448

- Fail-secure
- 6–12 V AC/DC
 - 12 V DC
 - 24 V DC
 - Lucky Strike 12–24 V DC
 - Lucky Strike 12–24 V AC/DC incl. GL-Module
 - with monitor contact

Accessories

(to be ordered separately)

Easy Adapt
(see page 30)

Stainless steel strike plate
(see page 13)

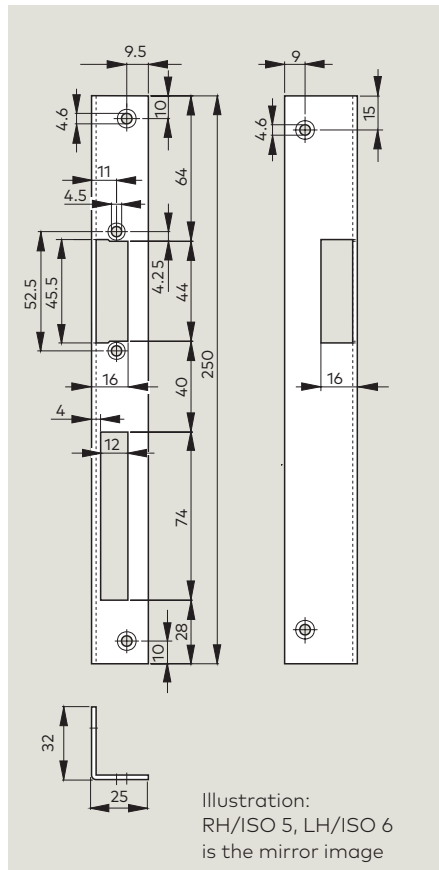
Stainless steel strike plates for electrical strikes

Characteristics											
	Basic, Lucky Basic Basic Safe	Basic-Radius Basic-Radius Safe	Basic Small	Smoke Lucky Smoke	Fire 447 / Fire 448 Lucky Fire 448	Dimensions mm	R = RH/ISO 5 L = LH/ISO 6	Edges radiused (for wooden doors)	with holes for bolt locking contact	Drawing see page	Order No.
Rebated strike plates											
WR 25	●	●	–	●	●	25x32x250x3	R	–	–	14	15170025
WL 25	●	●	–	●	●	25x32x250x3	L	–	–	14	15171025
WR 25-R	●	●	–	●	●	25x32x250x3	R	●	–	14	15170125
WL 25-R	●	●	–	●	●	25x32x250x3	L	●	–	14	15171125
WR 25-R-RK	●	●	–	●	●	25x32x250x3	R	●	●	14	15170225
WL 25-R-RK	●	●	–	●	●	25x32x250x3	L	●	●	14	15171225
Flanged strike plates											
FKH 24	●	●	–	●	●	24x135x3	L/R	–	–	14	15180324
FKM 24	●	●	–	●	●	24x135x3	L/R	–	–	14	15180424
FL 22	●	●	●	●	●	22x250x3	L/R	–	–	15	15180022
FLH 24	●	●	–	●	●	24x250x3	L/R	–	–	15	15180124
FLH 24-94	●	●	–	●	●	24x250x3	L/R	–	–	15	15181124
FLM 24	●	●	–	●	●	24x250x3	L/R	–	–	15	15180224
FLM 24-94	●	●	–	●	●	24x250x3	L/R	–	–	15	15181224
FLM 24-RK	●	●	–	●	●	24x250x3	L/R	–	●	15	15180724
FLM-131	●	●	–	●	●	25x280x3	L/R	–	–	16	16500000149
FLM131-RK	●	●	–	●	●	25x280x3	L/R	–	●	16	16500000166
Strike plates for use in combination with "Easy Adapt"											
FLM25 Easy Adapt	●	–	–	●	●	25x250x3 (Lap 40 / 80 mm)	L/R	–	–	16	15180925
FLM26 Easy Adapt	●	–	–	●	●	25x250x3 (Lap 40 / 100 mm)	L/R	–	–	16	15180926
FLM28 Easy Adapt	●	–	–	●	●	28x250x3	L/R	–	–	16	15180928
FLR25 Easy Adapt	●	–	–	●	●	25x250x3 (Lap 40 / 80 mm)	L/R	●	–	16	16500000090
FLR30 Easy Adapt	●	–	–	●	●	30x250x3 (Lap 37.5 / 100 mm)	L/R	●	–	16	15180930
FLR30-RK Easy Adapt	●	–	–	●	●	30x250x3 (Lap 37.5 / 100 mm)	L/R	●	●	17	15180830
FLM34 Easy Adapt	●	–	–	●	●	34x250x3	L/R	–	–	17	16500000106
FLM34-RK Easy Adapt	●	–	–	●	●	34x250x3	L/R	–	–	17	16500000107
FL34 Easy Adapt	●	–	–	●	●	34x250x3	L/R	–	–	17	15180934
FL34-RK Easy Adapt	●	–	–	●	●	34x250x3	L/R	–	●	17	15180834
FL35-RK Easy Adapt	●	–	–	●	●	35x280x3	L/R	–	●	17	16500000165

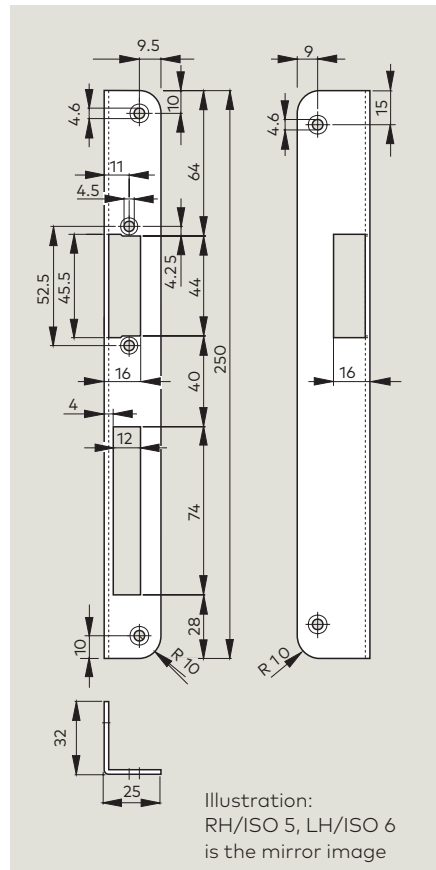
● = yes – = no

Electric strikes for fire and smoke check doors

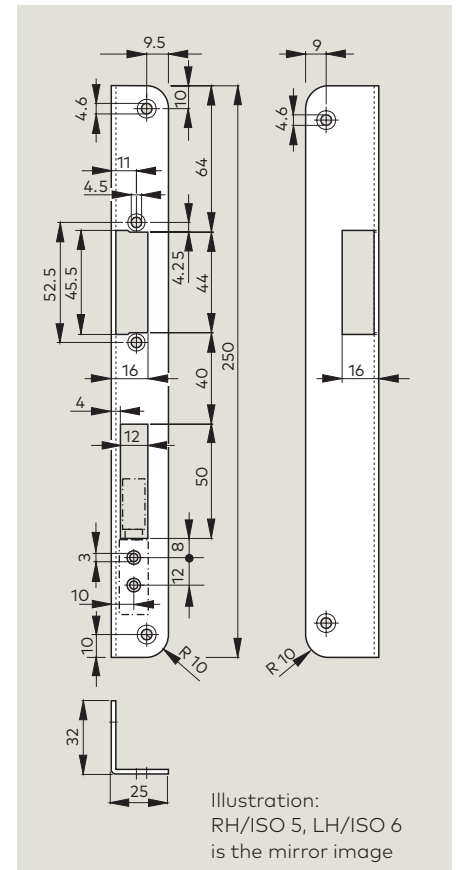
WR 25 / WL 25



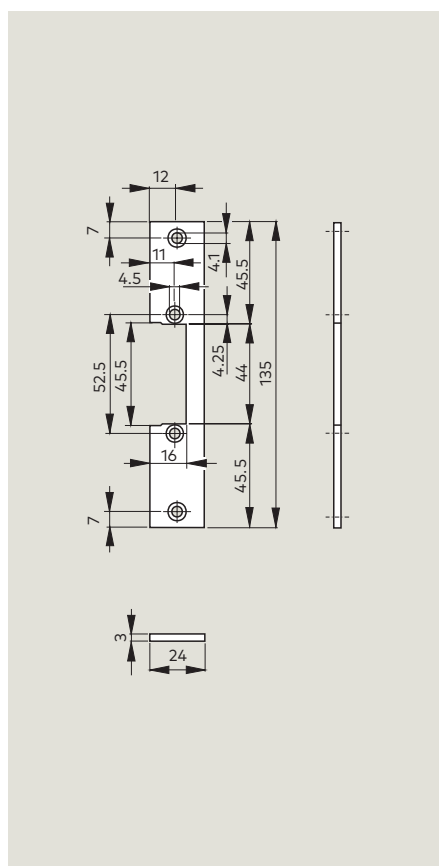
WR 25-R / WL 25-R



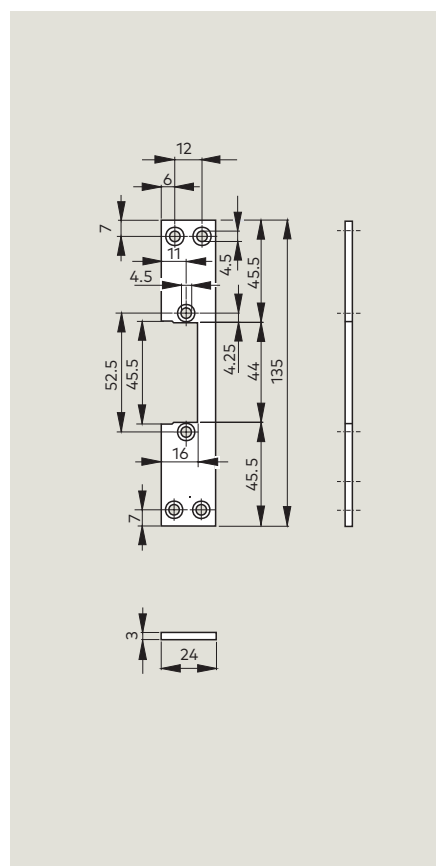
WR 25 / WL 25-R-RK



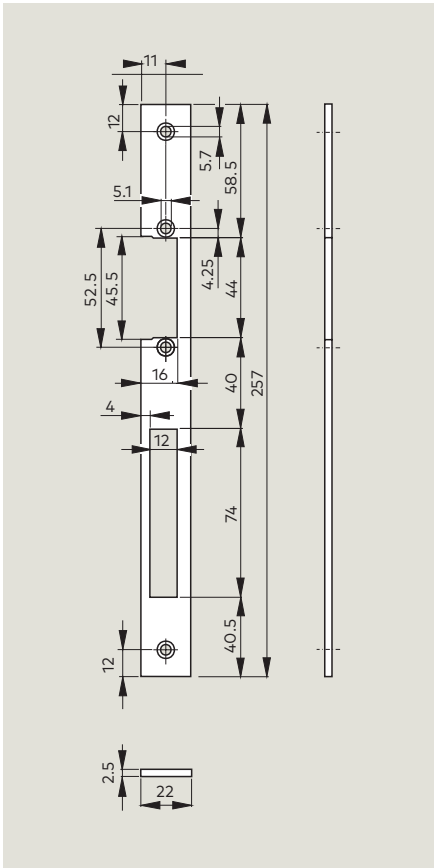
FKH 24



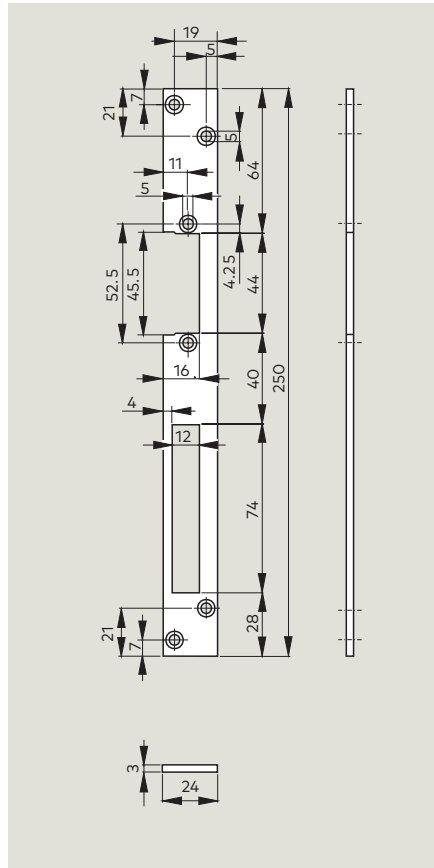
FKM 24



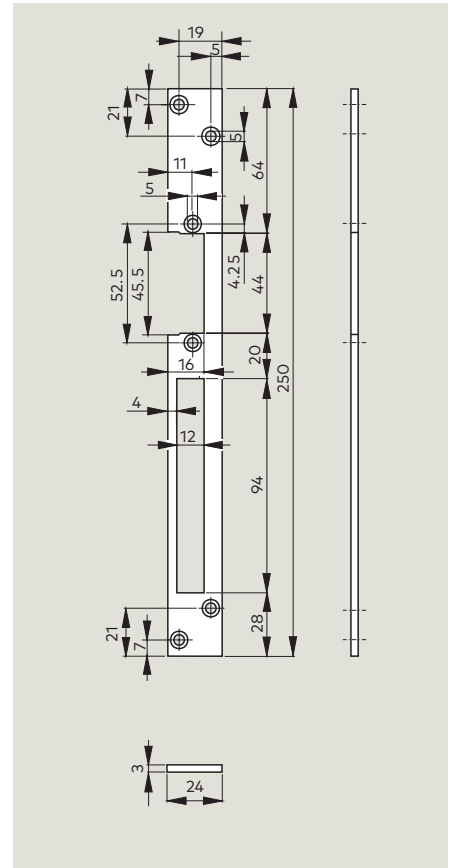
FL 22



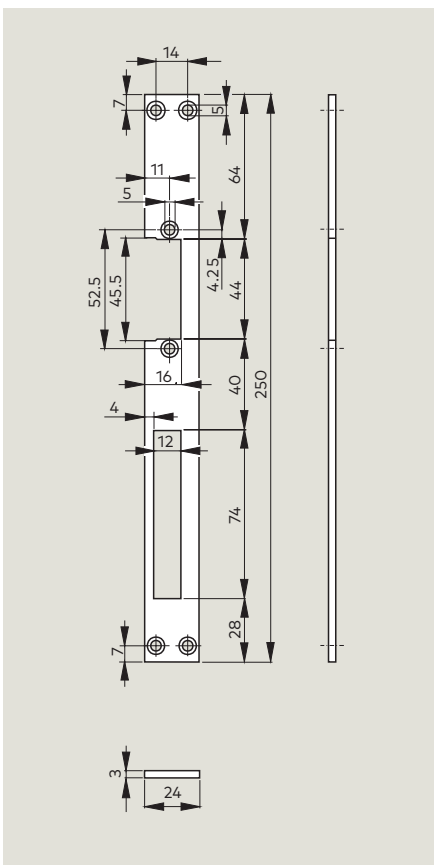
FLH 24



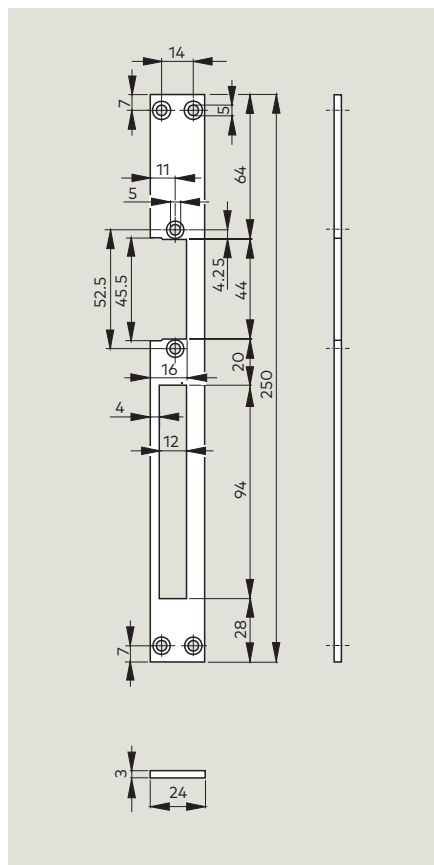
FLH 24-94



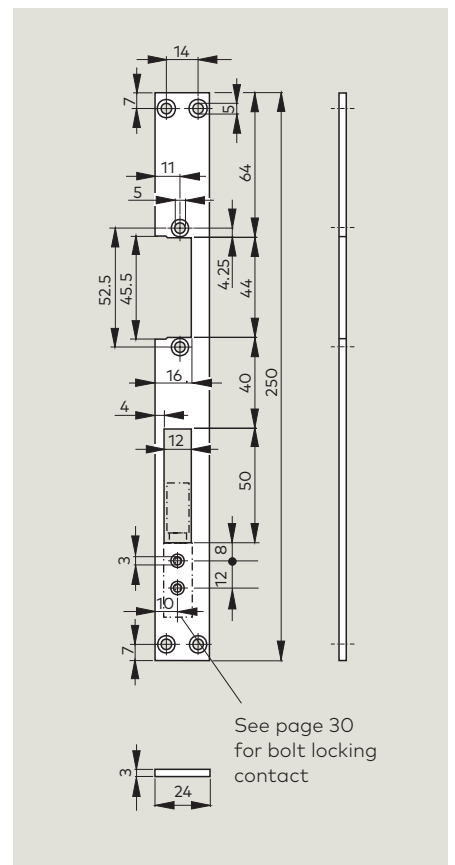
FLM 24



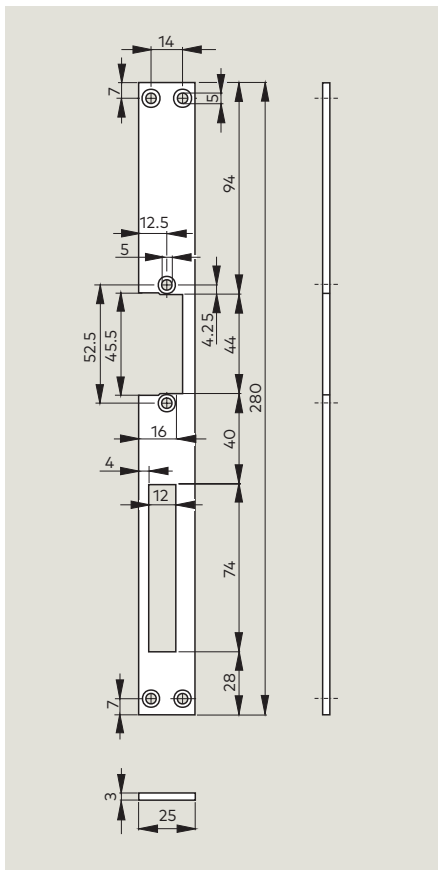
FLM 24-94



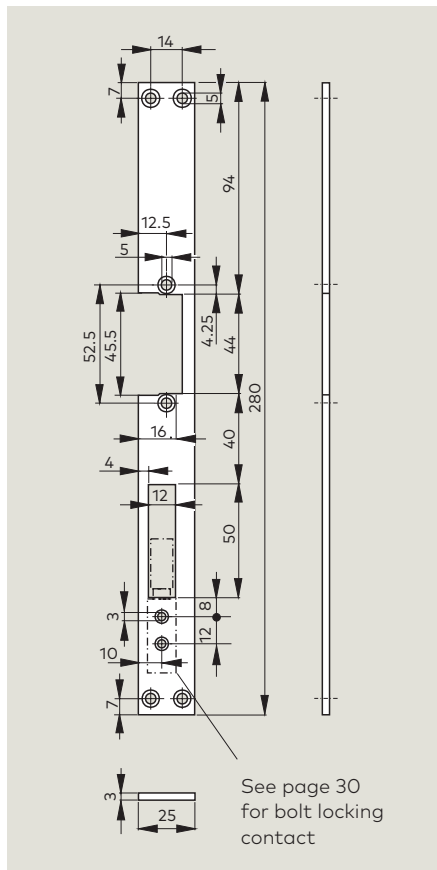
FLM 24 RK



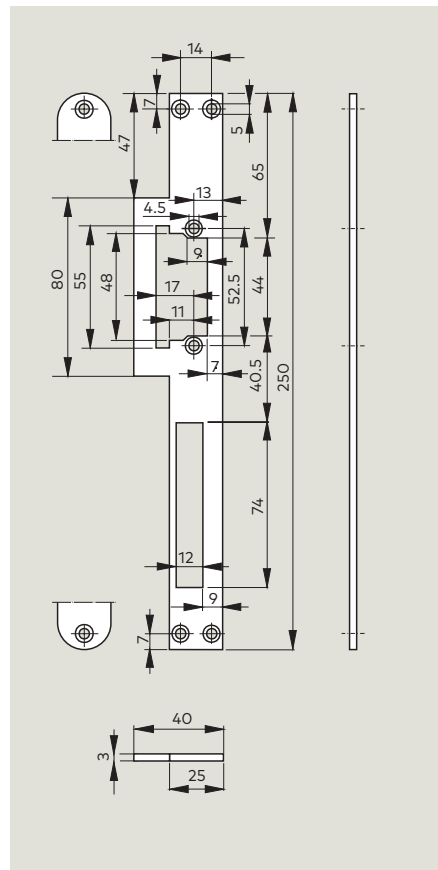
FLM 131



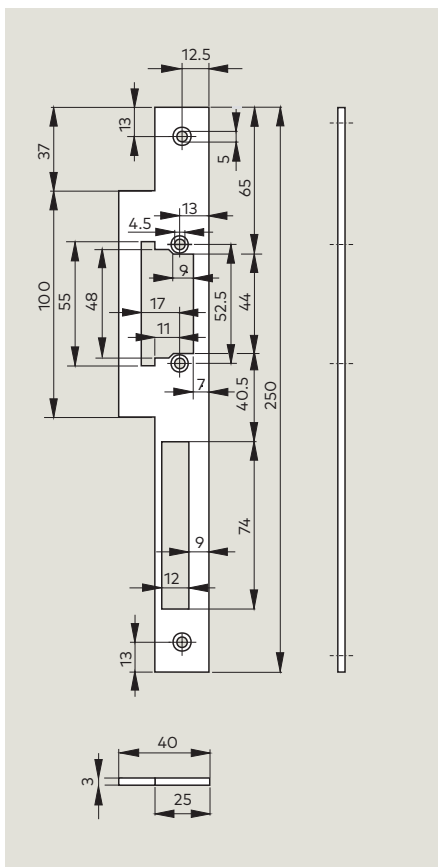
FLM 131-RK



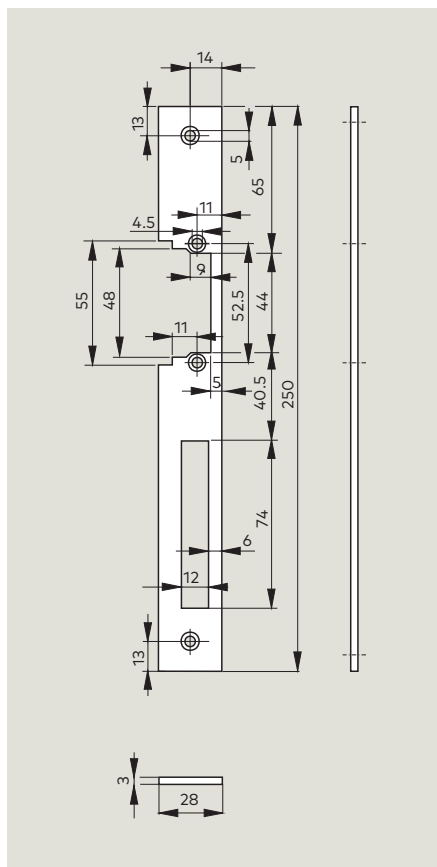
FLR 25 / FLM 25



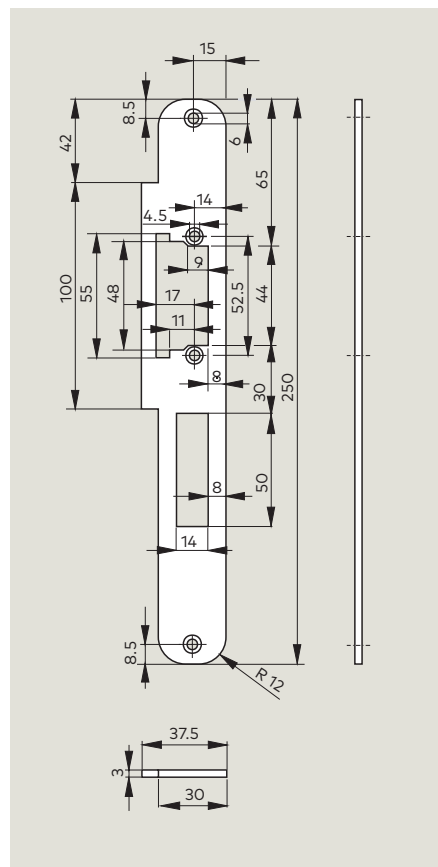
FLM 26



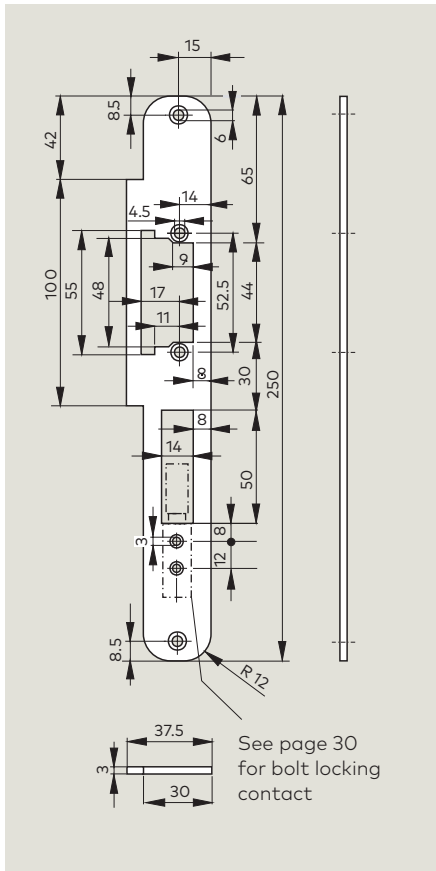
FLM 28



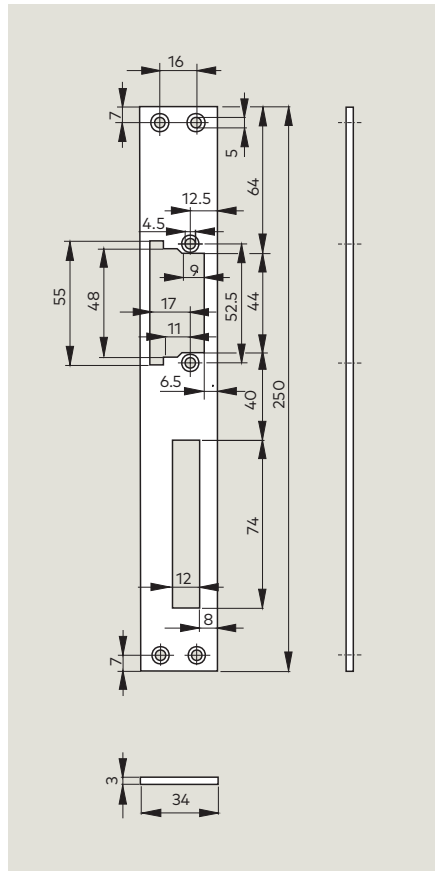
FLR 30



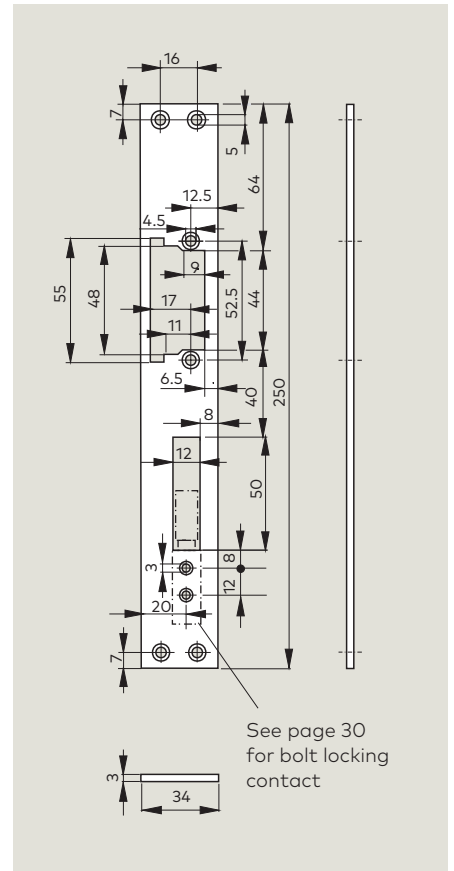
FLR 30-RK



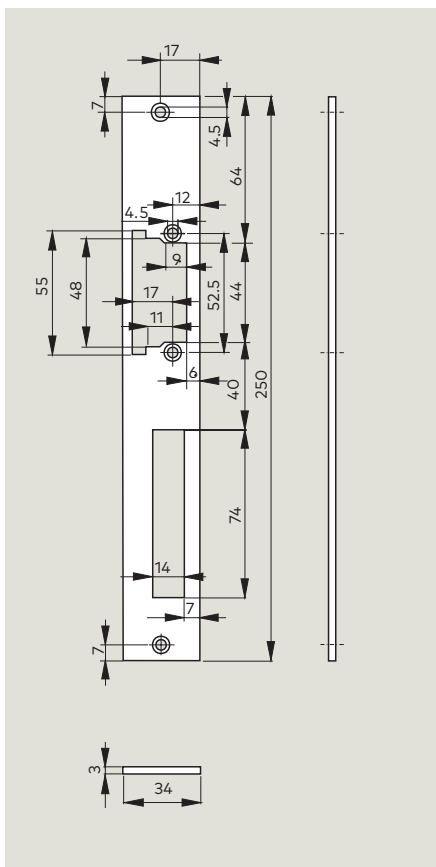
FLM 34



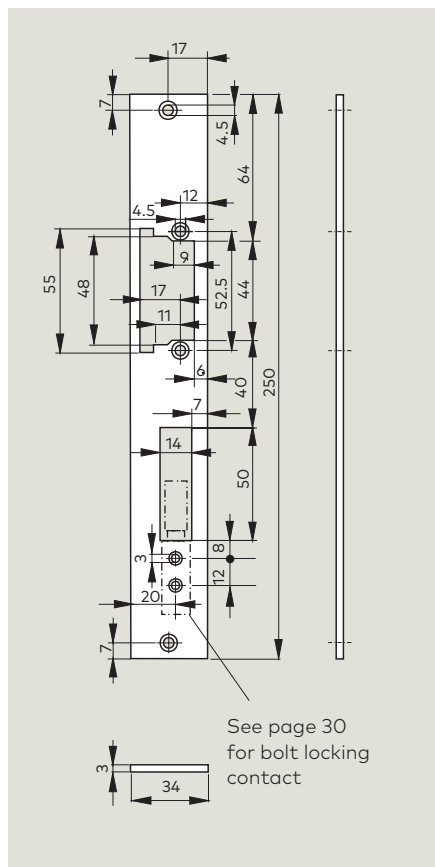
FLM 34-RK



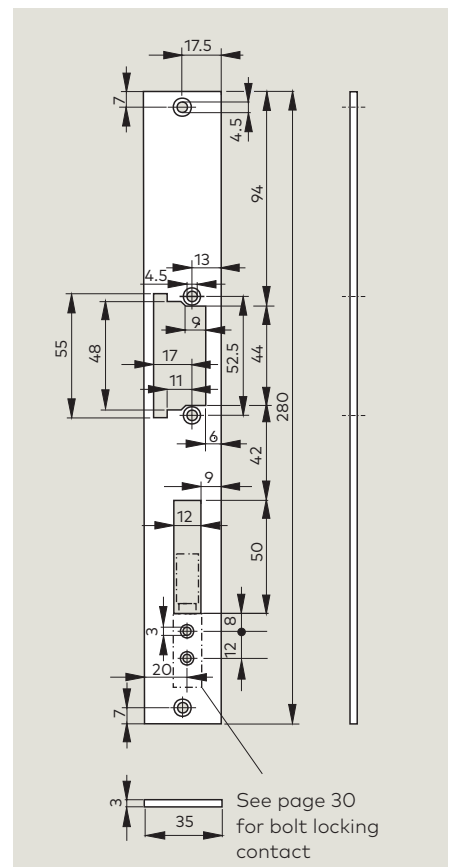
FL 34



FL 34-RK



FL 35-RK



Security electric strikes

Series	Voltage	Anti-tamper contact	Monitor contact (RR)	Type	Order No.
DES 400	Fail-secure / Fail-Safe 12-24 V DC 100% ED	-	-		15115124
		●	●	RR	15115524

Contact rating: max. 48 V AC/30 V DC, 2A (RR model)

● = yes - = no

Electric Strike for heavy-duty applications.

Due to the robust construction this model is for use in doors with high level of security.

- Superior holding force
- Voltage field selectable 12V / 24 V DC
- Fail safe / fail secure, easy to adjust
- Monitoring contacts available
- Monitoring contact "door closed" available
- Anti tamper contact (DES400 only)

Specification text

Electric strikes for use in doors with high security demands.

Voltage field selectable 12V / 24V.

Fail safe or fail secure adjustable, stainless steel - strike plate included.

For use LH and RH.

Model:

DES 400

- with monitor contact
- with anti-tamper contact

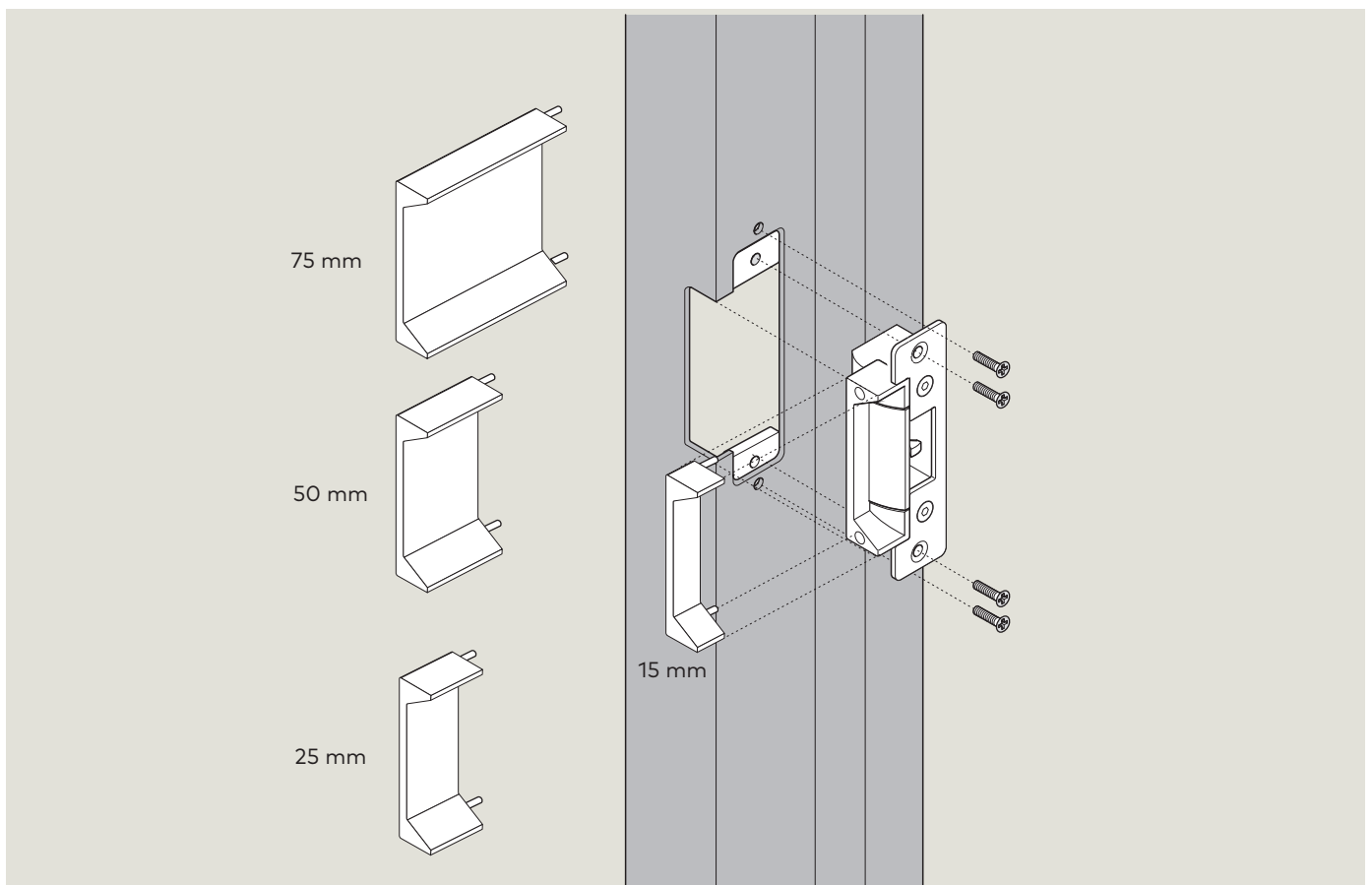
Accessories

(to be ordered separately)

Extension lips

Extension lips

Electric Strikes	Extension lip	Extension	Order No.
DES 400	DES 415	15 mm	15115015
	DES 425	25 mm	15115025
	DES 450	50 mm	15115050
	DES 475	75 mm	15115075



Locking mechanisms



Door locking mechanisms for concealed jamb installation. Can also be used as electric strikes for emergency exits. Integral monitor contacts for signalling active/inactive status. For over-rebated and flush-closing doors.

Maximum holding force in accordance with "Requirements for electrical locking systems on doors in emergency escape routes" (ElTVTR Version 12/97).

Technical data

Operating voltage	24 V DC, +/-5%
Power input	ca. 58 mA
Contact rating	24 V, 500 mA inductive 24 V DC, 1.0 A ohmic
Recommended cabling	I-Y(ST) Y4 x 2 x 0.6

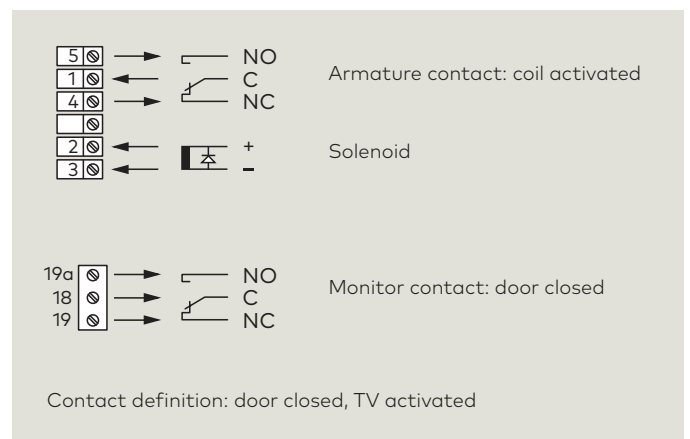
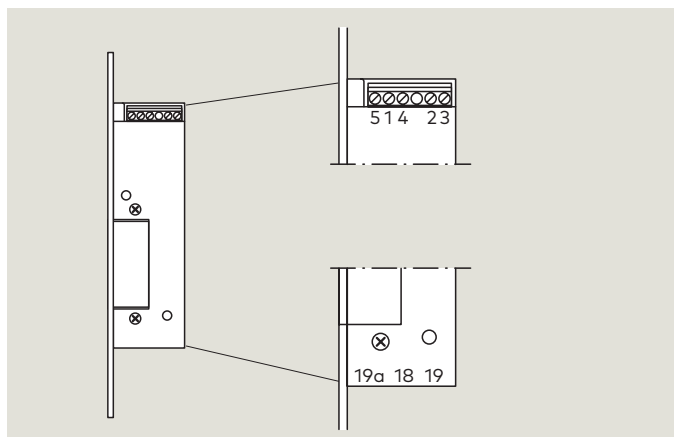
Benefits

- MPA certificated safety for use in emergency exits.
- Reduced energy, only 58 mA.
- Optic advantage, the product is for sealed mounting.
- Flexible use because of the adjustable latch.

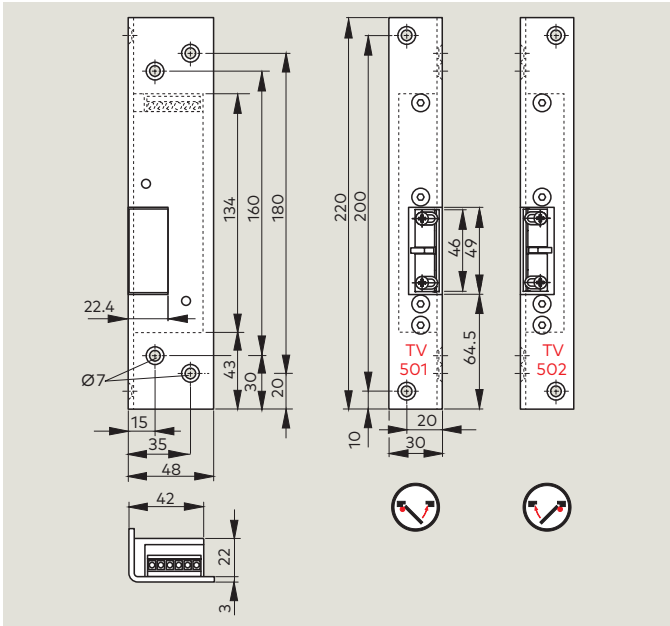
F Approval certification

Installation on fire and smoke check doors is only permitted where these doors are proven to be suitable and the associated service qualification assessment criteria are satisfied.

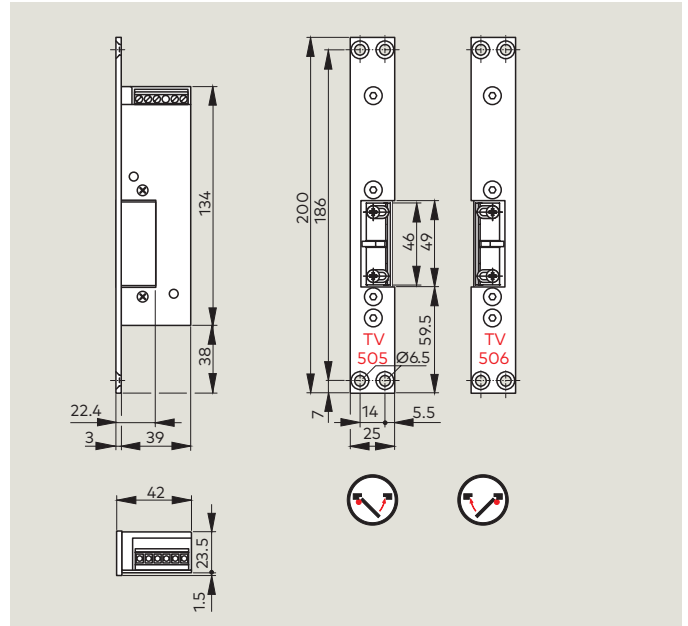
Terminal assignment and functions



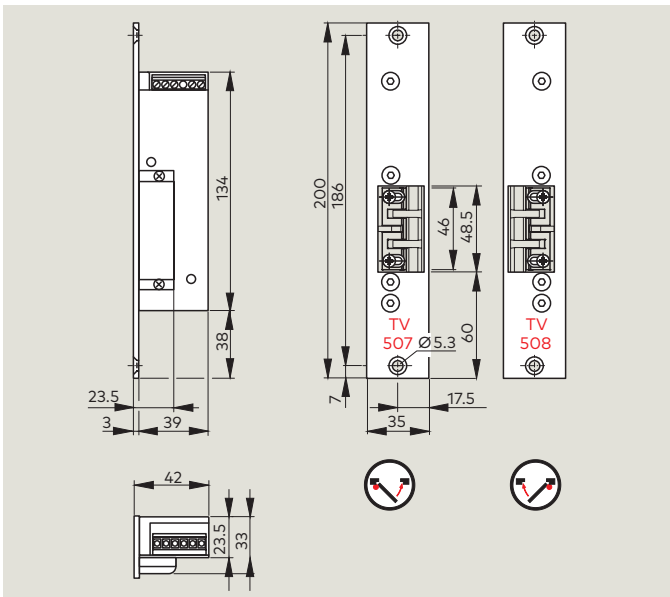
TV 501 / 502



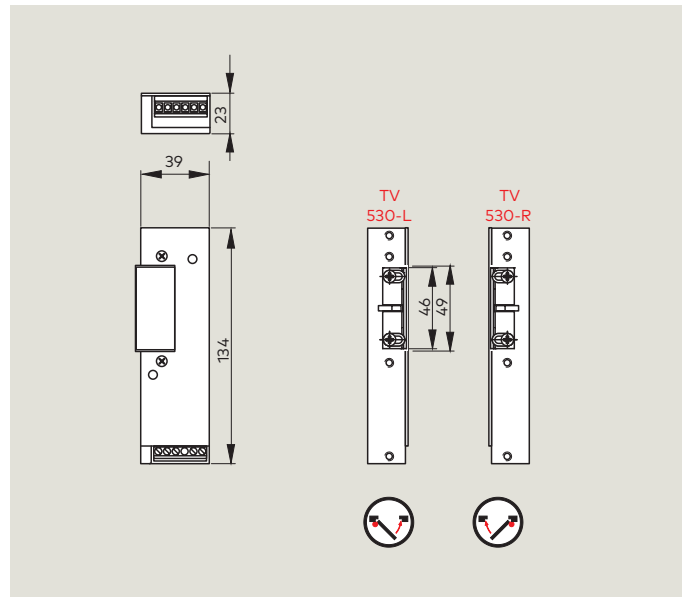
TV 505 / 506



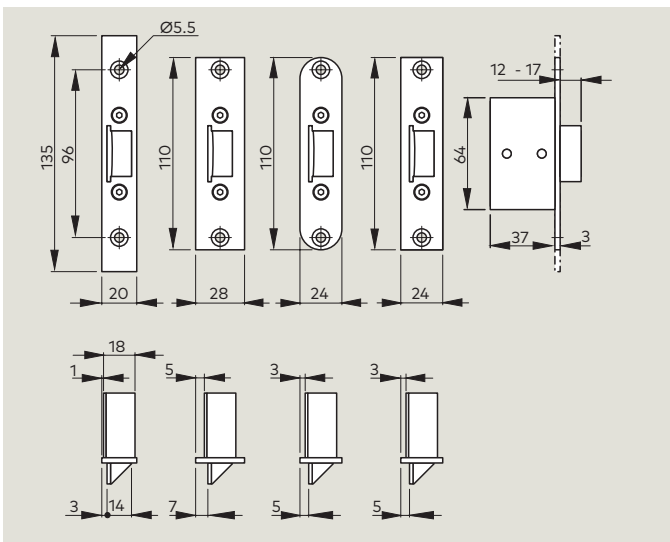
TV 507 / 508



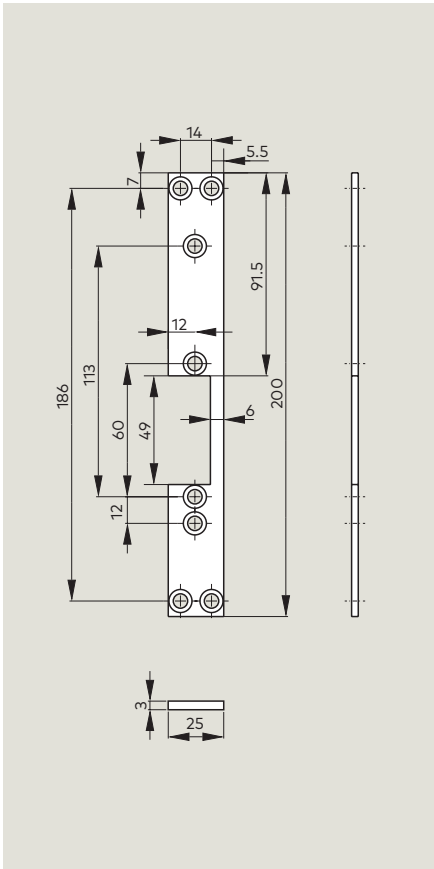
TV 530



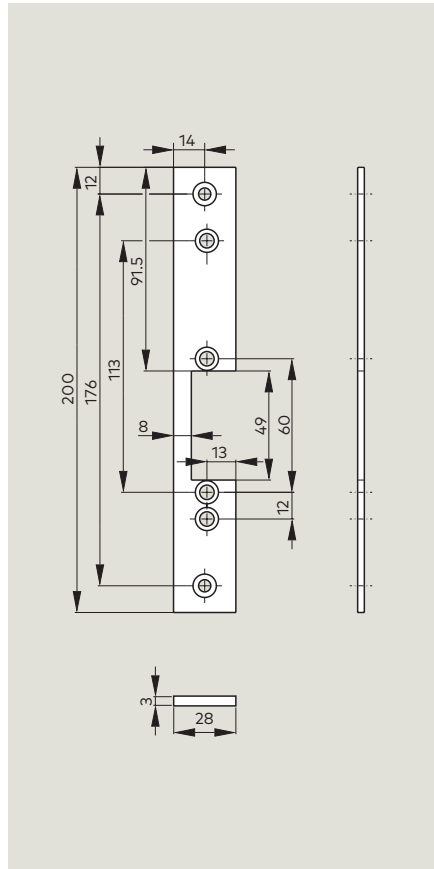
TV-Z 510



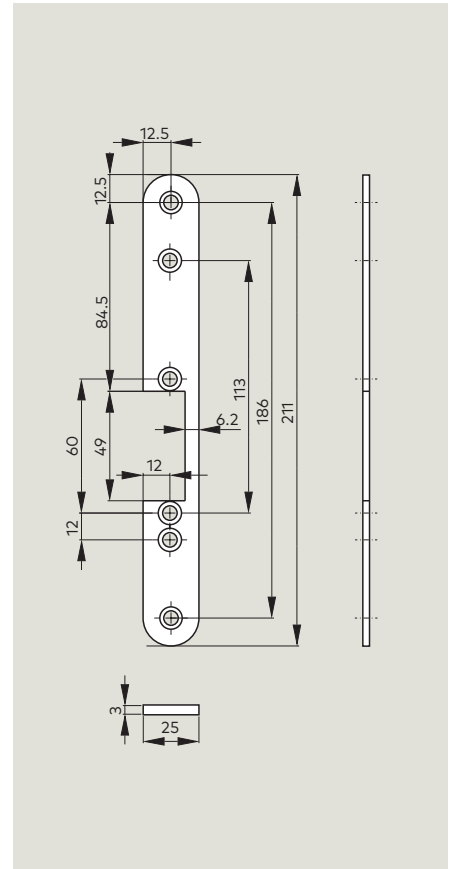
FKM 505/506 25-200



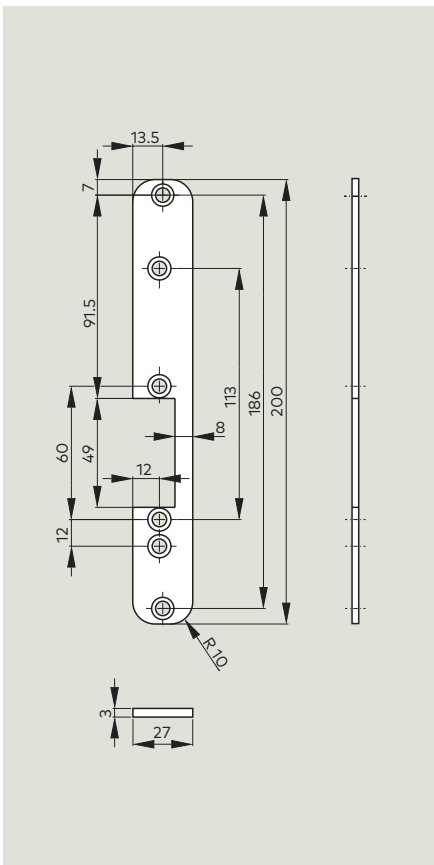
FKM 505/506 28-200



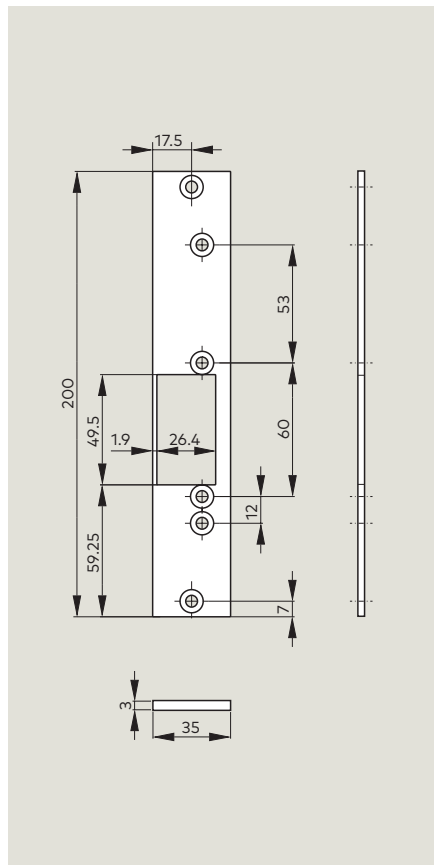
FKR 505/506 25-210



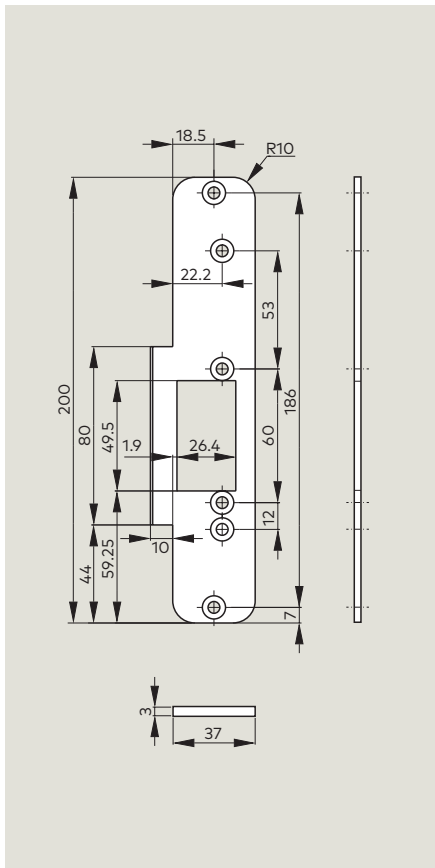
FKR 505/506 27-200



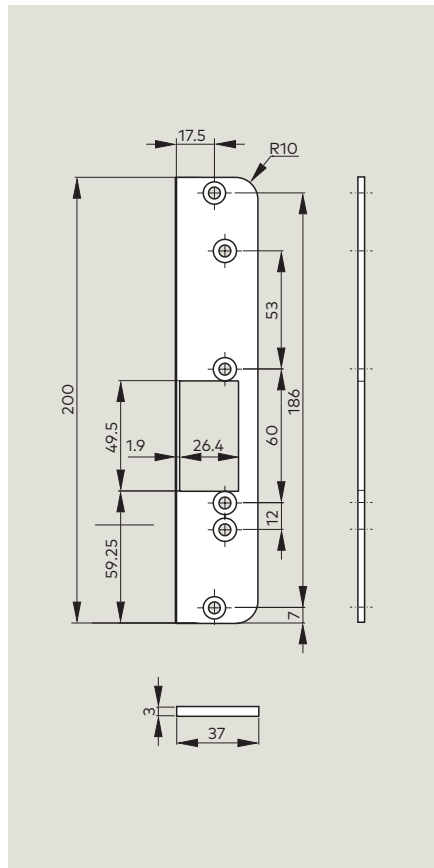
FK 507/508 35-200



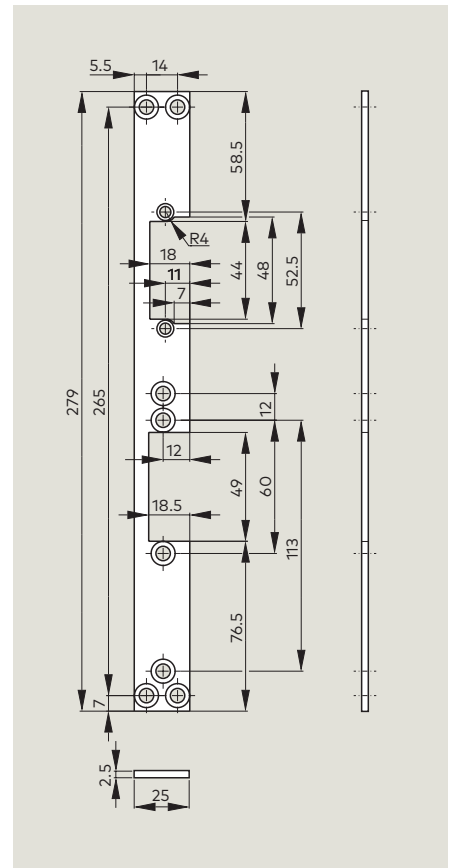
FKR 507/508 37-200



FR 507/508 37-200



FKM 530 25-280



Series	Voltage	LH/ ISO 6	RH/ ISO 5	Easy Adapt	Strike plate	Type	Order No.
TV 50x with strike plate	24 V DC	●	-	-	Angle	TV 501	15150124
		-	●	-	Angle	TV 502	15150224
		●	-	-	Flat	TV 505	15150524
		-	●	-	Flat	TV 506	15150624
		●	-	●	Flat	TV 507	15150724
		-	●	●	Flat	TV 508	15150824
TV 50x without strike plate	24 V DC	●	-	-	-	TV 500-L	15150924
		-	●	-	-	TV 500-R	15150024
	12 V DC	●	-	-	-	TV 500-L	15150912
		-	●	-	-	TV 500-R	15150012
	24 V DC	●	-	●	-	TV 500-L Easy Adapt	15150974
		-	●	●	-	TV 500-R Easy Adapt	15150074
	12 V DC	●	-	●	-	TV 500-L Easy Adapt	15150972
		-	●	●	-	TV 500-R Easy Adapt	15150072
TV 510 without strike plate without armature contact	24 V DC	●	-	-	-	TV 510-L	15151924
		-	●	-	-	TV 510-R	15151024
	12 V DC	●	-	-	-	TV 510-L	15151912
		-	●	-	-	TV 510-R	15151012
TV 520 without strike plate without armature contact without monitor contact	24 V DC	●	-	-	-	TV 520-L	15152924
		-	●	-	-	TV 520-R	15152024
	12 V DC	●	-	-	-	TV 520-L	15152912
		-	●	-	-	TV 520-R	15152012
TV 530 without strike plate mounting upside down	24 V DC	●	-	-	-	TV 530-L	15153924
		-	●	-	-	TV 530-R	15153024
	12 V DC	●	-	-	-	TV 530-L	15153912
		-	●	-	-	TV 530-R	15153012

● = yes - = no

Accessories	Dimensions	LH/ ISO 6	RH/ ISO 5	Edges radiused	Type	Order No.
TV-Z 510 Mortice latch lock	Forend 24 x 110 mm	-	-	-	TV-Z 510-24	15198124
	Forend 24 x 110 mm	-	-	●	TV-Z 510-24 R	15198224
	Forend 28 x 110 mm	-	-	-	TV-Z 510-28	15198128
	Forend 20 x 135 mm	-	-	-	TV-Z 510-20	15198120
Flanged strike plate for TV 500 TV 510 TV 520	25 x 200 x 3 mm	●	-	-	FKM 505 25-200	15190505
	25 x 200 x 3 mm	-	●	-	FKM 506 25-200	15190506
	28 x 200 x 3 mm	●	-	-	FKM 505 28-200	16500000017
	28 x 200 x 3 mm	-	●	-	FKM 506 28-200	16500000018
	25 x 210 x 3 mm	●	-	●	FKR 505 25-210	16500000349
	25 x 210 x 3 mm	-	●	●	FKR 506 25-210	16500000350
	27 x 200 x 3 mm	●	-	●	FKR 505 27-200	16500000351
	27 x 200 x 3 mm	-	●	●	FKR 506 27-200	16500000352
Flanged strike plate Easy Adapt for TV 500 TV 510 TV 520	35 x 200 x 3 mm	●	-	-	FK 507 35-200	15190507
	35 x 200 x 3 mm	-	●	-	FK 508 35-200	15190508
	37 x 200 x 3 mm	●	-	●	FKR 507 37-200	16500000282
	37 x 200 x 3 mm	-	●	●	FKR 508 37-200	16500000281
	37 x 200 x 3 mm	●	-	● ¹⁾	FR 507 37-200	16500000347
	37 x 200 x 3 mm	-	●	● ¹⁾	FR 508 37-200	16500000346
Flanged strike plate for TV 530	25 x 279 x 2.5 mm	●	-	-	FLM 530-L	15190530
	25 x 279 x 2.5 mm	-	●	-	FLM 530-R	15190531

¹⁾ Two edges radiused

● = yes - = no

Specification text**TV 50x**

Door locking mechanism with integral monitor contacts for signalling active/inactive status.

Supplied with flanged strike plate and pack of fixings.

Maximum holding force in accordance with EltVTR with side-load-independent release

Model:

- with rebated strike plate 30 x 48 x 220 x 3 mm for Falztüren**
 - TV 501 ISO 6, 24 V DC
 - TV 502 ISO 5, 24 V DC
- with flanged strike plate 25 x 200 x 3 mm for flush-closing doors**
 - TV 505 ISO 6, 24 V DC
 - TV 506 ISO 5, 24 V DC
- with flanged strike plate 35 x 200 x 3 mm for latched model with flush-closing doors**
 - TV 507 ISO 6, 24 V DC
 - TV 508 ISO 5, 24 V DC
- without strike plate**
 - TV 500-L, ISO 6, 24 V DC
 - TV 500-R, ISO 5, 24 V DC
 - TV 500-L, ISO 6, 12 V DC
 - TV 500-R, ISO 5, 12 V DC
 - TV 500-L, ISO 6, Easy Adapt, 24 V DC
 - TV 500-R, ISO 5, Easy Adapt, 24 V DC
 - TV 500-L, ISO 6, Easy Adapt, 12 V DC
 - TV 500-R, ISO 5, Easy Adapt, 12 V DC
- without strike plate, without armature contact**
 - TV 510-L, ISO 6, 24 V DC
 - TV 510-R, ISO 5, 24 V DC
 - TV 510-L, ISO 6, 12 V DC
 - TV 510-R, ISO 5, 12 V DC
- without strike plate, without monitor contact, without armature contact**
 - TV 520-L, ISO 6, 24 V DC
 - TV 520-R, ISO 5, 24 V DC
 - TV 520-L, ISO 6, 12 V DC
 - TV 520-R, ISO 5, 12 V DC
- mounting upside down without strike plate**
 - TV 530-L, ISO 6, 24 V DC
 - TV 530-R, ISO 5, 24 V DC
 - TV 530-L, ISO 6, 12 V DC
 - TV 530-R, ISO 5, 12 V DC

Accessories**TV-Z 510**

Mortice latch lock, fixed in door leaf for interfacing with the TV 50x.

- Forend 24 x 110 x 3
- Forend 24 x 110 x 3, Edges radiused
- Forend 28 x 110 x 3
- Forend 20 x 135 x 3

Flanged strike plate for TV 50x door locking mechanism.

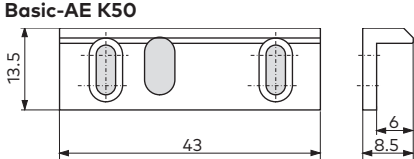
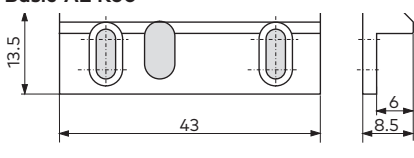
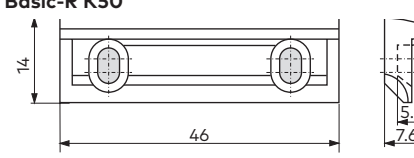
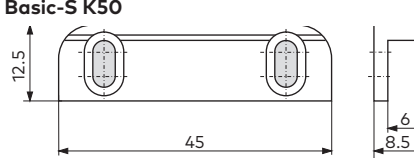
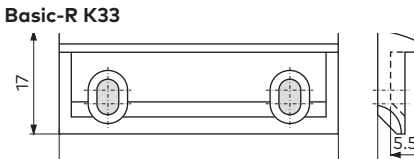
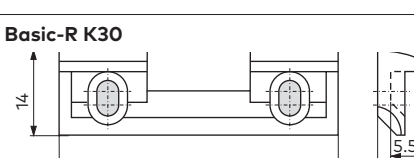
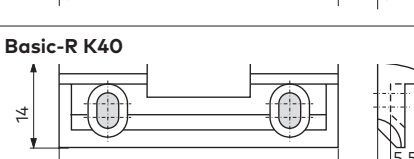
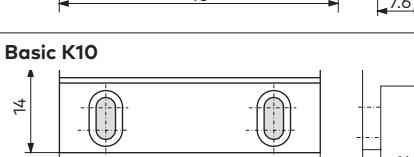
- | | |
|---|---|
| <input type="checkbox"/> FKM 505 25-200 | <input type="checkbox"/> FKM 506 25-200 |
| <input type="checkbox"/> FKM 505 28-200 | <input type="checkbox"/> FKM 506 28-200 |
| <input type="checkbox"/> FKR 505 25-210 | <input type="checkbox"/> FKR 506 25-210 |
| <input type="checkbox"/> FKR 505 27-200 | <input type="checkbox"/> FKR 506 27-200 |
| <input type="checkbox"/> FK 507 35-200 | <input type="checkbox"/> FK 508 35-200 |
| <input type="checkbox"/> FKR 507 35-200 | <input type="checkbox"/> FKR 508 35-200 |
| <input type="checkbox"/> FKR 507 37-200 | <input type="checkbox"/> FKR 508 37-200 |
| <input type="checkbox"/> FR 507 37-200 | <input type="checkbox"/> FR 508 37-200 |
| <input type="checkbox"/> FLM 530-L | <input type="checkbox"/> FLM 530-R |

Easy Adapt-TV500

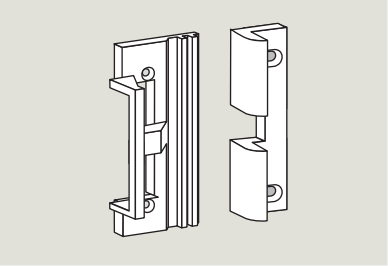
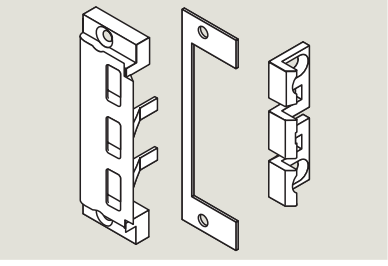
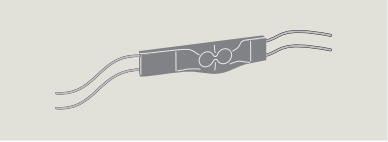
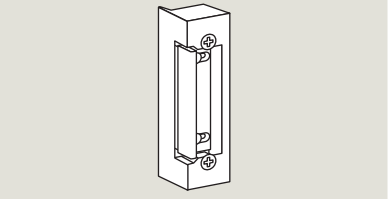
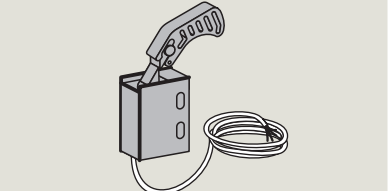
Set to build up a latchguide TV500.
(see page 30)

Electric Strikes Series	Electric Strikes Series															
	Basic	Lucky Basic 448	Basic-Safe	Basic-Radius	Basic-Radius Safe	DES 72x	DES 731	Basic-Small	Smoke	Lucky Smoke 448	Fire 447	Lucky Fire 448	DES 300	DES 400	TV 5xx	
Electric strikes keeper	●	●	●	●	●	-	-	●	●	●	●	●	-	-	-	
Easy Adapt	●	●	●	-	-	-	-	-	●	●	●	●	-	-	-	
Easy Adapt – TV 500	-	-	-	-	-	-	-	-	-	-	-	-	-	-	●	
GL-Module (only DC variant)	-	●	-	-	-	-	-	-	-	●	-	●	-	-	-	
Strike Prep 447	●	●	●	-	-	-	-	-	●	●	●	●	-	-	-	
RK	●	●	●	●	●	●	●	●	●	●	●	●	●	●	●	
TK 311	●	●	●	●	●	●	●	●	●	●	●	●	●	●	●	
TK 304	●	●	●	●	●	●	●	●	●	●	●	●	●	●	●	
TK 411	●	●	●	●	●	●	●	●	●	●	●	●	●	●	●	
TK 404	●	●	●	●	●	●	●	●	●	●	●	●	●	●	●	

● = yes - = no

Electric strikes keeper		X =	Basic	Basic-Radius	Basic-Small	Basic-Small S	Smoke	Fire 447	Order No.
		5.7 – 9.7 mm	<input type="radio"/>	-	-	-	<input type="radio"/>	<input type="radio"/>	16500000111
		4.7 – 8.7 mm	<input type="radio"/>	-	-	-	-	-	16500000112
		6.2 – 8.2 mm	-	<input type="radio"/>	-	-	-	-	16500000114
		5.7 – 9.7 mm	-	-	<input type="radio"/>	-	-	-	16500000113
		9.2 – 11.2 mm	-	<input checked="" type="radio"/>	-	-	-	-	15110506
		6.2 – 8.2 mm	-	<input checked="" type="radio"/>	-	-	-	-	15110406
		6.2 – 8.2 mm	-	<input checked="" type="radio"/>	-	-	-	-	15110606
		7.7 – 10.7 mm	<input type="radio"/>	-	-	-	-	-	16500000115

● = Electric strike, complete Type E, 6–12 V AC/DC - = no ○ = Accessories, optional

	Specification text	Order No.
	<p>Easy Adapt Electric strike casing cover with latch guide for upgrading dormakaba electric strikes as latch-guided units. Suitable for electric strikes of the series Basic, Basic-Safe, Smoke and Fire 447 and the functional versions "Mechanical deactivation" and "Monitoring contact". Tolerance compensation is effected using the adjustable latch of the electric strike. Integrated cable conduit for fixing the connection wires to the casing cover with the aid of an adhesive strip included in the pack. Dimensions: approx. 3.6 x 76 x 31.6 mm</p>	15198010
	<p>Easy Adapt-TV500 Electric strike casing cover with latch guide for upgrading TV500 as latch-guided units. Suitable for TV500, TV510, TV520. Tolerance compensation is effected using the adjustable latch of the TV500. For use LH and RH. Dimensions: approx. 68 x 20 x 10mm</p>	15198011
	<p>GL Module Rectifiers - Module for use with an DC voltage electric strike in combination with AC voltage Input - voltage: 12V – 24 V AC output - voltage: 12V – 24 V DC Current: max. 700mA</p>	15199001
	<p>Strike Prep 447 Dummy electric strike. Symmetrical insert for preparation of installation and subsequent retrofitting of electric strikes. With adjustable latch, non-handed, suitable for both over-rebated and flush-closing doors. Dimensions: 76 x 20 x 18.5 mm</p>	15147000
	<p>RK bolt locking contact VDS class C no. G 193 082 with a potential free change-over contact for monitoring of the door locking. Degree of protection: IP 68 Connection cable: 4 m LIYY 3 x 0.14 mm2, Switching power: 30 V DC, 200 mA</p>	15198000

Specification text

Order No.

**TK 311 / TK 411**

Electromechanical door contact for monitoring the opening of doors.

The spring-mounted ball is operated mechanically when the door is closed and thus ensures that the contact operates very reliably.

Floating (no-volt) changeover contact, incl. 4 m connection cable (TK 411 only)

Contact rating: 5 A/30 V

Colour: white

Forend dimensions (W x H x D): approx. 22.5 x 42 x 2.5 mm

Dimensions of base section (O x D): approx. 20 x 25 mm

TK 311 square forend

15198311

TK 311-R rounded edges

15198321

TV 411 square forend, 4m connection cable included

15198411

TV 411-R rounded edges, 4m connection cable included

15198421

**TK 304 / TK 404**

Electromechanical door contact for monitoring the opening of doors.

The spring-mounted ball is operated mechanically when the door is closed and thus ensures that the contact operates very reliably. You may adjust the contact inside the forend (adjustment range: 13 mm)

Floating (no-volt) changeover contact, incl. 4 m connection cable (TK 404 only)

Contact rating: 5 A/30 V

Colour: metal-coloured

Forend dimensions (W x H x D): approx. 23 x 42 x 3 mm

Dimensions of base section (O x D): approx. 18 x 33 mm

TK 304 square forend

15198304

TK 404 square forend, 4m connection cable included

15198404



www.dormakaba.co.uk

dormakaba UK & ireland

E: info.gb@dormakaba.com

Wilbury Way, Hitchin
Hertfordshire
SG4 0AB

T: +44(0)1462 477600

F: +44(0)1462 477601

Lower Moor Way
Tiverton, Devon

EX16 6SS

T: +44(0)870 000 5625

F: +44(0)870 000 5397

WN 052 184 51532, 12/16, Electric Strikes, GB, x. DMS. 04/18
Subject to change without notice