



dormakaba c-lever air

The flattest electronic door furniture

Elegant and compact design

Control access to the right areas at the right times with the c-lever air, our electronic door furniture which is as slim as a normal door plate.

The c-lever air meets high aesthetic and functional demands for your access control. A special feature is its thin door leaf design, which at 10.5 to 11.5 mm generally makes it possible to continue using existing lock cylinders. Its flat design has already been awarded a few times.

The c-lever air is part of the dormakaba evolo standalone portfolio. No wiring is required within the door because the unit is operated with two standard batteries. Combined with lever handle elements on the inside, the same look can be obtained on all doors.

Latest technology

The c-lever air can be integrated into all dormakaba system solutions and supports the latest RFID technologies.

With the selectable wireless function you can transmit your access rights from your computer to the components via radio. Benefit from the advantages of this function, for instance in terms of security, programming and maintenance.

Ready to use

The c-lever air can be used on interior doors, for example on design-oriented architecture, in modern offices or museums and galleries.

Advantages at a glance

- Award-winning product – most compact dimensions
- Standalone or wireless mode at choice
- Optional Mobile Access function: receive access rights via the dormakaba app to your smartphone and use it as your access medium

Any questions? We would be happy to assist you and look forward to hearing from you.

dormakaba International Holding AG
 Hofwisenstrasse 24
 CH-8153 Rümlang
 T. +41 848 85 86 87
info.ch@dormakaba.com

www.dormakaba.com

Features

Easy to use – high performance

Open the door as usual, whether it is with a card, key fob, a key with RFID or a smartphone – the digital lighting unit will flash green after you present your access medium, and you can open the door pushing the lever handle.

Installation

The c-lever air can be installed indoors on narrow stile or solid leaf doors made of wood or metal. It takes only a few minutes. Please follow the operating instructions, which contain further information on technical data, tests and maintenance.

Programming

The c-lever air is suitable for single doors but also as part of a large-scale master key system. Choose from the following programming options:

- Authorisation in the component:
 - with the programming card
 - with the smartphone app (evolo smart)
 - with the system software and transfer of access rights via the programming device
 - conveniently from your desk via the wireless function.
- Authorisations on the access medium – programming of the door components on site is not necessary. Optionally available with:
 - CardLink
 - AoC (Access on Card)
 - OSS-SO (Open Security Standards – Standard Offline)
 - Mobile Access: access with your smartphone via Bluetooth® or Near Field Communication (NFC)

Essential features

The firmware supports all dormakaba system solutions and offers the following main functions:

- Number of access media:
 - with whitelist up to 4,000
 - with CardLink or AcC practically unlimited
- Internal clock and configurable time profiles
- Time-limited assignment of access rights (validation)
- Audit trail of the last 2,000 events (can be disabled)

A universal portfolio

Our range includes a variety of combinable products in the same high-quality design. They can be seamlessly integrated into mechanical, standalone or online dormakaba systems.

Note: The scope of this product's functions depends on the system environment selected. Certain options might not be available.

You can find further details and order information in the relevant dormakaba catalogue or in the system description.

Technical information

Supported standards

- LEGIC (advant & prime)
- MIFARE (DESFire & Classic)
- OSS-SO Version 2017-10 (LEGIC advant, MIFARE DESFire)

Types

- Wide version (for solid leaf doors) and narrow version (for hollow profiled doors)
- Euro profile, Swiss round profile
- Centre distance (version-dependent):
 - Wide: 70 to 78 mm;
 - Narrow: 70 to 94 mm
- Lever handle:
 - standard (8906), U-shaped (8906V), designer (8115), U-shaped (8116V)

Options

- Black or white cover
- Available lever handle designs
- Available functions: wireless, Mobile Access

Dimensions (W x H x D)

- Wide shield: 52 x 180 x 10.5 mm
- Narrow shield: 40 x 282 x 11.5 mm
- Door thicknesses 35 to 110 mm

Power supply

- Two batteries 1.5 V AA L91, FR6

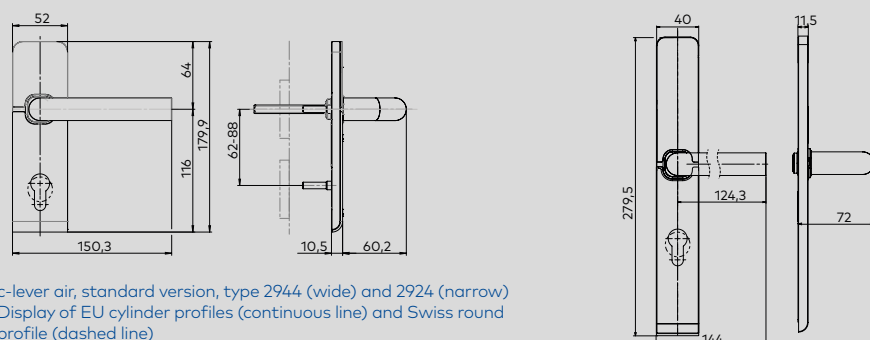
Environment/service life

- Temperature: - 20 °C to + 55 °C
- Protection class: IP54
- Humidity: 0 % to 90 % rH, non-condensing
- Service life of batteries at 20 °C: up to 120,000 cycles or up to 3 years

Certificates

- DIN 18273 (tested in accordance with EN 1634-1, in preparation)
- Emergency exit: EN 179 (with corresponding locks and handles)
- Electronic door furniture: prEN 16867 (in preparation)

Subject to changes without prior notice.
Version 03/2019. © 2019 dormakaba.



c-lever air, standard version, type 2944 (wide) and 2924 (narrow)
Display of EU cylinder profiles (continuous line) and Swiss round profile (dashed line)

