

A product photograph of the DORMA OGRO door furniture. It shows two views: a top-down view of a silver-colored handle with a circular backplate and a side view of the handle with a rectangular backplate. The backplates feature a grid of small circular indentations. The text "OGRO" is overlaid on the side view.

OGRO

Project door furniture  
for timber and narrow-stile doors

# CONTENT

OGRO	Data and features	3	
	Benefits at a glance	3	
	The visual elegance	4	
	The technology	5	
	Click & Go	6	
	Standards	8	
Timber doors	Door furniture Overview	10	
	Knobs, turnable and fixed dead Overview	12	
	Roses and backplates	14	
	Modular system	15	
	Door furniture Technical drawings	16	
	Knobs, turnable and fixed dead Technical drawings	22	
	Narrow-stile doors	Door furniture Overview	24
		Knobs, turnable and fixed dead Overview	25
Roses		26	
Modular system		26	
Door furniture Technical drawings		27	
Knobs, turnable and fixed dead Technical drawings		34	
OGRO		Fittings for glass doors	36
		Screws and spindles	37
	Roses and backplates with visible fixings	40	
	Fittings for sports hall doors and operable partitions	41	
	Accessories	41	
	Specification texts	42	

## Our commitment to a sustainable future

We are committed to sustainable development as one of our business maxims. DORMA's aim is to ensure energy-saving and resource-conserving production,

a high recycling ratio and the longevity of our quality products. Environmental Product Declarations (EPD), based on a holistic life cycle assessment,

are used for the calculation of the sustainability of buildings.

EPD certificates are available on [www.dorma.com](http://www.dorma.com)



# OGRO – DOOR FURNITURE AT ITS MOST ELEGANT

The OGRO door furniture range offers aesthetically and technically sophisticated solutions capable of meeting the high demands of the project business. With the OGRO range, identical lever handles can be combined with precisely matched roses, escutcheons and backplates for use on timber, narrow stile and toughened glass doors. The system comprises three components that can be flexibly combined with one another: Lever handles, roses/backplates and spindles.

## Benefits at a glance

### For the architect

- A tiny shadow joint ensures visual integrity
- The high quality Satino surface finish satisfies very high demands with respect to the appearance of the door furniture.
- The consistently maintained standard height of just 9 mm for all roses and backplates ensures that the same design elegance is maintained on all the doors of a project.
- The OGRO by Architects customising service also enables you to implement individual design ideas for your project.

### For the trade

- Modular system reduces storage space requirement.
- Square section spindles provided separately: With different door thickness, you just replace the spindle rather than having to order a completely new furniture set.
- Identical fixing screw and spindle length increments simplify materials management.
- Having been assigned category of use grade 4 per EN 1906, OGRO door furniture can also be reliably installed in buildings subject to heavy pedestrian traffic frequencies.

The entire OGRO range is able to satisfy virtually any design related requirement. From the modern to the classic. The wide choice of models offers an impressive indication of the high standard of quality available with the DORMA brand.

# 10

**YEARS WARRANTY ON ALL PRODUCTS FEATURING OGRO TECHNOLOGY\***

### For the installer

- The horizontal return springing ensures that the lever handles will not sag or drop, even after many years of use.
- The springing mechanisms are non-handed and therefore interchangeable, avoiding the problem of installation mistakes.
- Click & Go technology facilitates fast, simple fitting, saving time and money.
- Roses, escutcheons and backplates can be prefitted to the door in the factory or workshop.
- Space-saving door transportation. The knobs and lever handles are simply clicked into the socket just before the building inspection takes place.
- The long support lugs on the mounting elements mean that larger door thickness increments can be accommodated with the same screw fixing length.

Data and features		Furniture sets for	
		Timber doors	Narrow stile doors
Minimal shadow joint between lever handle and backplate/rose		●	●
High-quality Satino finish		●	●
Spring assisted	On one side of the door	●	○
	On both sides of the door	○	●
	None	○	○
Non-handed return springs		●	●
Uniform height of 9 mm for roses and backplates throughout the OGRO range		●	●
Click & Go fast installation technology		●	●
Modular system for easy mix and match		●	●
Roses/backplates can be pre-fitted to the door		●	●
Space-saving transportation thanks to partial preassembly		●	●
Maintenance free sleeve bearing		●	●
Long support lugs on mounting elements		●	–
Identical length intervals for screws and spindles		●	●
Lever handle can be separately removed		●	●
Category of use	EN 1906	4	4
Approved for doors on escape routes	EN 179:2008	◆	◆
Tested compliant with	EN 1634-1*	◆	◆
Approved for fire- and smoke check doors	DIN 18273	◆	◆
Environmental product declaration in accordance with ISO 14025 Programme holder: Institute Construction and Environment e.V. Declaration number: EPD-DOR-2012421-E		●	●
Material	Stainless steel	◆	◆
	Aluminium	◆	◆
Laser cut roses and backplates		○	○
OGRO by Architects		●	●
10 years' warranty**		●	●

● yes ○ optional – no ◆ General approvals and material depending on lever handle design

\* When used with fire and smoke check doors, additional national regulations must be satisfied (where applicable).

\*\* Subject to our current conditions of warranty and guarantee available at [www.dorma.com](http://www.dorma.com). Copies will also be sent out on request.

# OGRO – THE VISUAL ELEGANCE

## OGRO with tiny shadow joint

The integrated OGRO design appearance is strengthened by the minimal shadow joint between lever handle and escutcheon.



## Satino finish

The more sophisticated the design of a detail, the greater its beneficial effect on the whole. The Satino finish applied to the OGRO range of door furniture epitomises this rule.

The combination of a high grade material, true craftsmanship

and such a fine satinised surface creates a unique elegance. The result: the complete furniture set blends harmoniously into the design of the door.



## Aluminium

Coloured and anodized in-house, do the OGRO aluminium fittings benefit of a tight and even oxide layer protecting effectively against weathering, wear and tear.

Available in

- F1 anodised silver
- F2 champagne
- F3 brass
- F4 bronze
- F5 dark bronze
- alike stainless steel

## Stainless steel

OGRO stainless steel door furniture is characterised by a refined satin finish. This gives the associated fittings a high quality appearance. They are also highly wear and impact resistant and satisfy exacting demands.

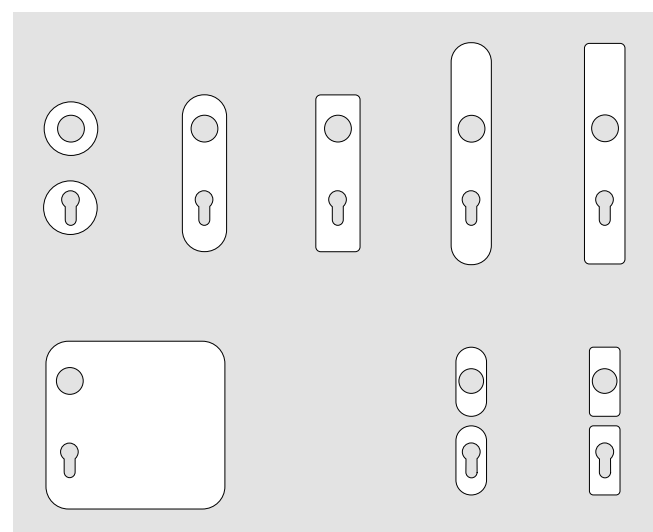
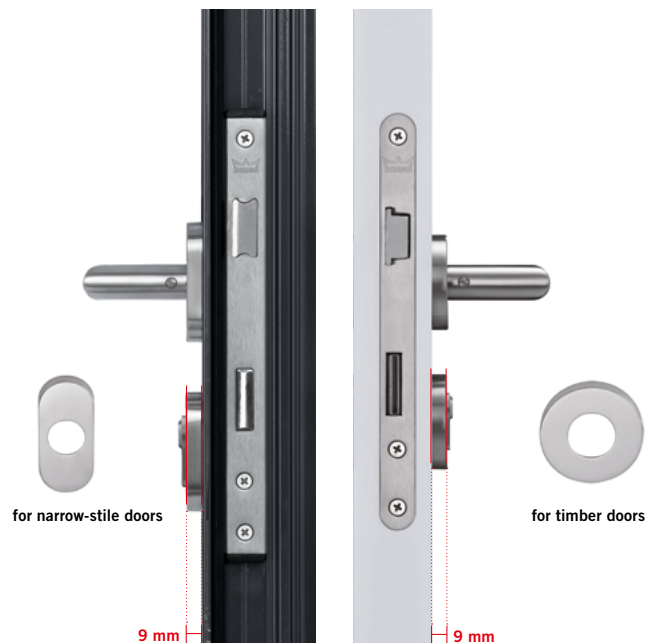
Available in

- satin
- mirror finish

## Identical heights of all roses/backplates

The difference is that there is no longer any difference. OGRO scores with identical heights for roses and backplates. Only once all the shapes in a room are in harmony will the ambience enthrall. And OGRO makes a major contribution to such an effect.

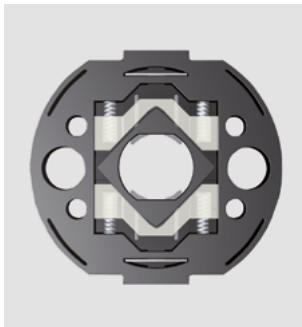
All the covers of the roses and backplates, whether for timber or narrow-stile doors, have a uniform height of just 9 mm. In keeping with DORMA's commitment to provide contemporary hardware for high quality building designs.



The 9 mm height is common to all OGRO roses and backplates for timber and narrow-stile doors and also for window handles.

## OGRO – THE TECHNOLOGY

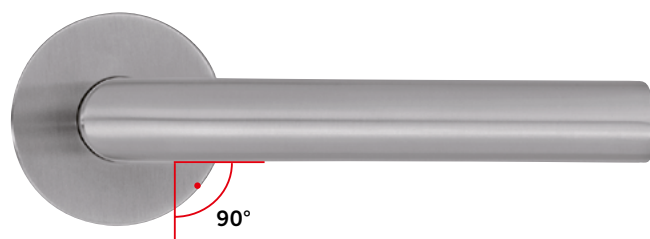
### Return springs for timber and narrow-stile doors



The OGRO technology withstands the stresses and strains of high frequency door usage while ensuring an excellent ease of use. Four return springs ensure that the lever handles always return into a 90° degree position - even after intense usage.

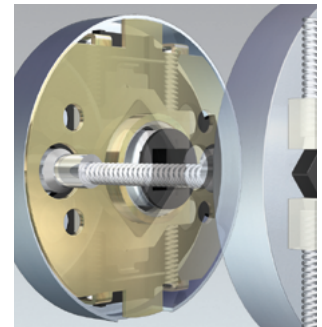
### The advantage of individual selection

OGRO door furniture sets for timber doors are generally supplied with return springs one-sided while narrow-stile door lever handles are provided with two-sided return springs.



### Long support lugs for timber doors

Thanks to the extended support lugs on the thread side of the timber door roses and backplates can larger door thicknesses easily be accommodated.



### Mix and match with the OGRO range



### Security fittings

Series SI 17xx, class of protection ES 1-ZA (DIN 18257) and S2-ZA (EN 1906)

A combination that unifies the security of a DIN-compliant anti-tamper fitting with the high load capacity and flexibility of OGRO project door furniture. The external backplate is simply combined on the inside of the door with the OGRO lever handle and the OGRO rose. And in this combination, the securely bushed internal lever handle ensures durable stability.

### Panic hardware

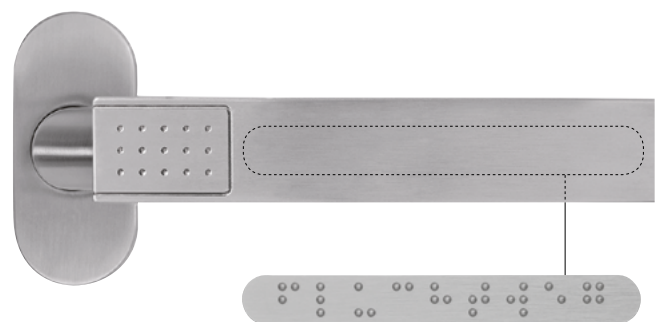
DORMA PHA 2500 system (EN 1125)

The functional reliability and safety of emergency exits and escape routes is assured by the combination of a technically sophisticated OGRO lever handle set and the DORMA Panic Hardware system.

## OGRO WITH BRAILLE

Lever handles with a Braille inscription provide independence and added ease of use for people with impaired vision. OGRO handles used on emergency exits can also be appropriately embossed, thus improving overall safety without in any way affecting the visual attractiveness of the hardware set. The Braille is located on the inside face, precisely where the finger tips make contact

when the handle is gripped. Immediate recognition by Braille readers is therefore assured. DORMA also offers multi-level adaptation of key words in Braille to suit each application. These tactile inscriptions are available in a range of languages for maximum international validity and flexibility.



**Note:** This symbol indicates that the DORMA product is available with Braille.

## CLICK & GO FOR FAST FIXING TO TIMBER DOORS

Standard lever handle sets  
No click, go...eventually.

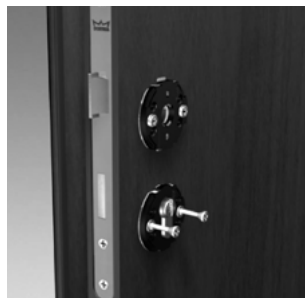


**Disadvantage 1**  
Installation of entire parts.  
Danger of causing scratches  
and / or other damages.



**Disadvantage 2**  
Small space for the use of tools.

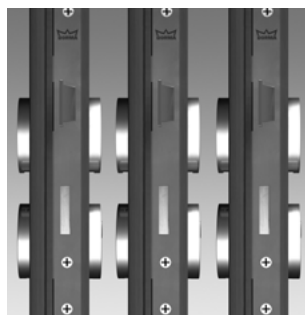
DORMA advantages – Click & Go fast fixing system



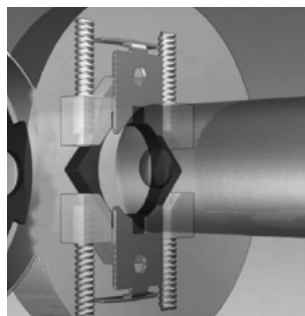
**Advantage 1**  
Fast and easy installation of the  
base parts. Other product parts  
do not hinder assembly.



**Advantage 2**  
Roses and backplates are simply  
clicked on the base parts. No  
risk of damaging other product  
parts.



**Advantage 3**  
Space-saving door transportation.  
Knobs and lever handles are  
clicked into the escutcheons on  
the building site before the final  
inspection. Pollution and damage  
are avoided during the construc-  
tion phase.



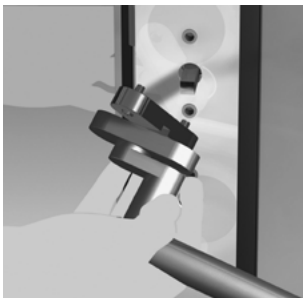
**Advantage 4**  
4 detents allow for fast fixing as  
the lever is snatched into place  
and automatically securely and  
steadily pushed.



**Advantage 5**  
The grub screw does not have  
to be tightened when using lever  
handles (8 mm spindle) for  
timber doors.

# CLICK & GO FOR FAST FIXING TO NARROW-STILE DOORS

**Standard lever handle sets**  
 No click, go...eventually.



**Disadvantage 1**  
 Installation of entire parts.  
 Danger of causing scratches  
 and / or other damages.



**Disadvantage 2**  
 Small space for the use of tools.

**DORMA advantages – Click & Go fast fixing system**



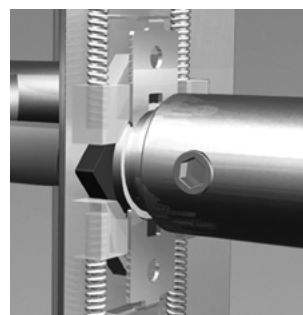
**Advantage 1**  
 Fast and easy installation of the  
 base parts. Other product parts  
 do not hinder assembly.



**Advantage 2**  
 Roses and backplates are simply  
 clicked on the base parts. No  
 risk of damaging other product  
 parts.



**Advantage 3**  
 Space-saving door transportation.  
 Knobs and lever handles are  
 clicked into the escutcheons on  
 the building site before the final  
 inspection. Pollution and damage  
 are avoided during the construc-  
 tion phase.



**Advantage 4**  
 4 detents allow for fast fixing as  
 the lever is snatched into place  
 and automatically securely and  
 steadily bushed.

# DIN EN 1906

DIN EN 1906 sets out the requirements and test methods for **lever handles and door knobs**. An eight-digit key classifies the test results relating, for example, to resilience, durability, fire resistance and corrosion resistance. The entire furniture set including the fixing elements and the spindle is evaluated. Assessment criteria such as torque, tensile strength, free play and free angular play

travel are measured before and after a long time functionality test and must attain specified values depending on the relevant structured. The category of use is broken down into four grades, ranging from 1 (lowest) to 4 (highest). As you would expect from DORMA, our **OGRO door furniture sets fully meet class 4 requirements – the class with the highest performance demands.**

The complete classification code for our OGRO furniture sets is explained below. The OGRO range achieved the maximum score in all relevant test categories, providing you with objective evidence that you will be choosing a high quality product. Naturally, we also apply the same extremely high standards to other criteria that are not assessed in DIN EN 1906, such as innovative design,

quality of finish, range of models and finishes to choose from, and ease of installation. And as demands inevitably rise, you can rely on us to maintain the customarily high quality of service, advice and customer support offered by the DORMA Group.

## Classification code to DIN EN 1906 for the DORMA OGRO range

4	7	-	D1/C1*	0/1**	5	0	A/B/U
<p><b>Category of use</b> Four classification grades are defined: <b>Grade 1:</b> Medium frequency of use by people with a high incentive to exercise care and with a small chance of misuse, e.g. internal residential doors. <b>Grade 2:</b> Medium frequency of use by people with some incentive to exercise care but where there is some chance of misuse, e.g. internal office doors. <b>Grade 3:</b> High frequency of use by public or others with little incentive to exercise care and with a high chance of misuse, e.g. public office doors. <b>Grade 4: High frequency of use on doors which are subject to frequent violent usage, e.g. football stadiums, offshore installations (oil rigs), barracks, public toilets, etc.</b></p> <p><b>Durability</b> Grade 6: medium frequency of use 100,000 cycles <b>Grade 7: high frequency of use 200,000 cycles</b></p> <p><b>Door mass</b> No classification</p> <p><b>Fire resistance</b> <b>Grade 0:</b> no performance determined <b>Grade A:</b> for use on smoke-control doors <b>Grade A1:</b> for use on smoke-control doors, tested with 200 000 cycles on a test door <b>Grade B:</b> for use on smoke-control and fire-resistant doors <b>Grade B1:</b> for use on smoke-control and fire-resistant doors, tested with 200 000 cycles on a test door <b>Grade C:</b> for use on smoke-control and fire-resistant doors with requirements for fire protection inlays in backplate, rose and escutcheon <b>Grade C1: for use on smoke-control and fire-resistant doors with requirements for fire protection inlays in backplate, rose and escutcheon, tested with 200 000 cycles on a test door</b> <b>Grade D:</b> for use on smoke-control and fire-resistant doors with requirements for special core in the handle/knob <b>Grade D1: for use on smoke-control and fire-resistant doors with requirements for special core in the handle/knob, tested with 200 000 cycles on a test door</b></p>							<p><b>Type of operation</b> <b>A = spring assisted furniture</b> <b>B = spring loaded furniture</b> <b>U = unsprung furniture</b></p> <p><b>Security</b> <b>Grade 0: no performance determined***</b> Grade 1: mild burglary resistance Grade 2: moderate burglary resistance Grade 3: high burglary resistance Grade 4: extra high burglary resistance</p> <p><b>Corrosion resistance</b> 0 = no performance determined 1 = mild resistance 2 = moderate resistance 3 = high resistance 4 = very high resistance <b>5 = extremely high resistance.</b></p> <p><b>Safety</b> 0 = for normal use <b>1 = for safety applications</b></p>
							<p>*Aluminium version: Grade D1 Stainless steel version: Grade C1</p> <p>**Using an extra screw to fix the handle at the spindle: Grade 1</p> <p>***For anti-tamper door furniture, see our DORMA SI range</p>

## OGRO lever handles with 2,000,000 test cycles

OGRO lever handles in stainless steel have passed the durability test prescribed in DIN EN 1906 to the tune of 2,000,000 operating cycles. This thus far

exceeds the endurance limit of 200,000 cycles specified in the standard. The MPA (German Material Testing Authority) certificate No. 120002933.15

is available on request, or can also be downloaded from [www.dorma.de](http://www.dorma.de). The post-test results for free play and free angular movement

were, at <1 mm, also well within the limits specified in DIN EN 1906 of <6 mm and <5 mm respectively.



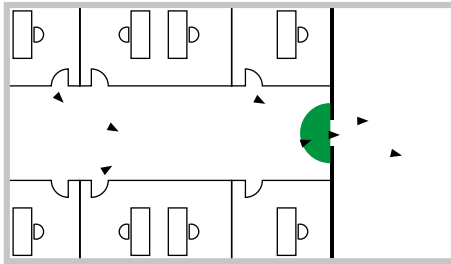
## EN 179

### In buildings not frequented by the public



Users aware of how to open the emergency exit door.

### No danger of panic



EN 179 – Emergency exit devices operated by a lever handle



When selecting the right panic hardware, it is important to know the type of building in which it is to be installed. This then indicates which harmonised European standard applies.

EN 1125 for public buildings or EN 179 for buildings with no general public usage.

Hence: In the case of hospitals or airports, for example,

EN 1125 applies. This specifies the installation of panic exit devices operated by a horizontal bar. If the building is a home or an office complex, on the other hand, EN 179 applies. Here, the emergency exit devices can be operated by a lever handle or a push pad.

### For timber doors

DO 20.4.01 Door fittings with roses and backplates on timber doors.

Certification of conformity with EN 179:

No 0432-EN 179-DO 20.4.

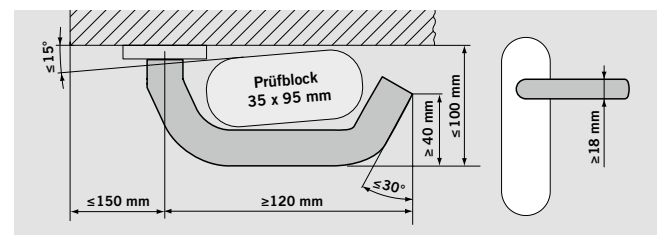
### For narrow-stile doors

DO 20.4.01 Door fittings with roses on narrow-stile doors.

Certification of conformity with EN 179:

No 0432-EN 179-DO 20.4.

### Relevant dimensions to EN 179:2008



The gauge block, angle  $\leq 15^\circ$  with respect to the door surface, must pass between the lever handle and the door.

The certified lever handles are marked with an **E**.

## EN 1634-1

Appendix C of EN 1906 states as follows: For confirmation of suitability for use on fire resistant/smoke control doors, fittings with or without a keyhole may only be fixed to the door that satisfy the corresponding fire resistance criteria according to EN 1634:1.

## DIN 18273

DIN 18273 stipulates that door furniture sets for fire and smoke control doors must form a single integrated assembly, and that the manufacturer of the furniture must effectively match the individual components of such assemblies to one another. The manufacturer of the furniture must specify and provide a description of the individual components belonging together. A door furniture set must not be assembled from unspecified

components, even if it can be demonstrated that they are individually suitable in accordance with this standard. As a result, even our fittings would lose their fire approval if they were combined with products which have not been defined by us as part of an integrated assembly. DIN 18273 also defines standard specifications, tests and external and internal quality monitoring as well as the ID marking of the sets.

All of our FS (fire resistant to DIN) door furniture sets are approved by MPA NRW on the basis of conformity certification and third party verification agreement No. 125712 aligned to the technical rules of German Building Regulations List A, Part 1: DIN 18273 FS: 1997-12.



The certified lever handles are marked with an **F**.

# OGRO DOOR FURNITURE FOR TIMBER DOORS



OGRO 8016



OGRO 8056



OGRO 8100



OGRO 8101



OGRO 8103



OGRO 8111



OGRO 8112



OGRO 8130



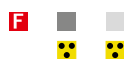
OGRO 8140



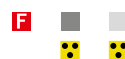
OGRO 8141



OGRO 8155



OGRO 8156



OGRO  
by Bitsch/Nether/Teherani 8200



OGRO 8350



OGRO 8353



OGRO 8354



OGRO 8437



OGRO 8527



OGRO 8810



OGRO 8811



OGRO 8815



OGRO 8825



OGRO 8826



OGRO by Sieger 8830



**F** EN 1634-1: Fire resistance tests for door and shutter assemblies

DIN 18273: Lever handle units for fire doors and smoke control doors



**E** EN 179: Emergency exit devices operated by a lever handle or push pad

**⊕** Particularly suitable for hospitals, senior homes and care institutions, as well as other applications requiring barrier-free accessibility (simple elbow actuation)

**⠠** Braille available as option for material indicated

■ Stainless steel

□ Aluminium



OGRO 8860



OGRO 8870



OGRO 8871



OGRO by Kister 8880



OGRO by Welter 8890



OGRO 8906



OGRO 8907



OGRO 8910



OGRO by Kleihues 8915



OGRO by Kleihues 8916



OGRO by Tchoban 8920



OGRO by Wagenfeld 8928



OGRO 8940



OGRO by Forstner 8960



OGRO by Braun Feldweg 8962



OGRO 8968



OGRO by Wagenfeld 8972



OGRO by Wagenfeld 8974



OGRO by Botti 8990



OGRO by Botti 8991



OGRO 8998



OGRO 8999



## OGRO TURNABLE KNOB FURNITURE FOR TIMBER DOORS



OGRO 8020



OGRO 8020A



OGRO 8548



OGRO 8548V



## OGRO FIXED KNOB FURNITURE FOR TIMBER DOORS



OGRO 3020



OGRO 3020A



OGRO 3548



OGRO 3548V



**F** EN 1634-1: Fire resistance tests for door and shutter assemblies

DIN 18273: Lever handle units for fire doors and smoke control doors



**E** EN 179: Emergency exit devices operated by a lever handle or push pad

**+** Particularly suitable for hospitals, senior homes and care institutions, as well as other applications requiring barrier-free accessibility (simple elbow actuation)

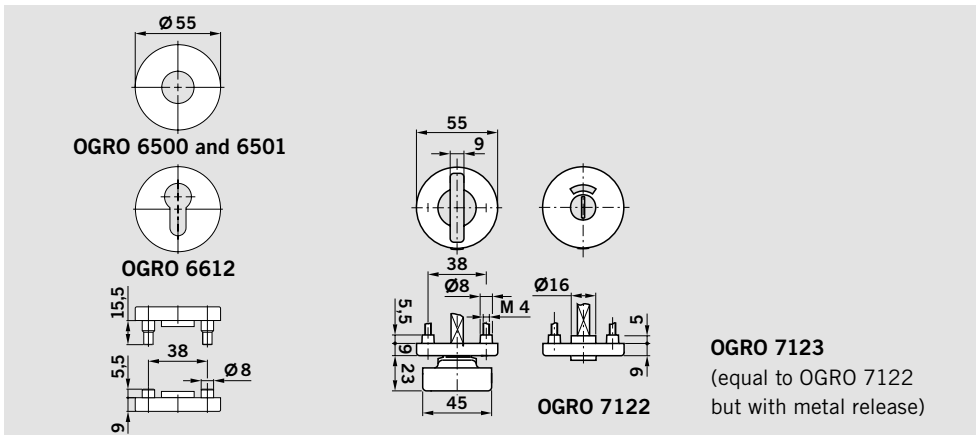
**+** Braille available as option for material indicated

■ Stainless steel

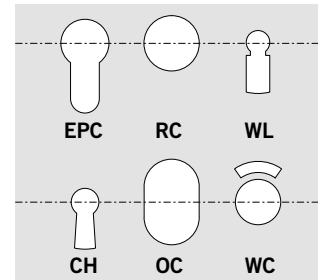
■ Aluminium



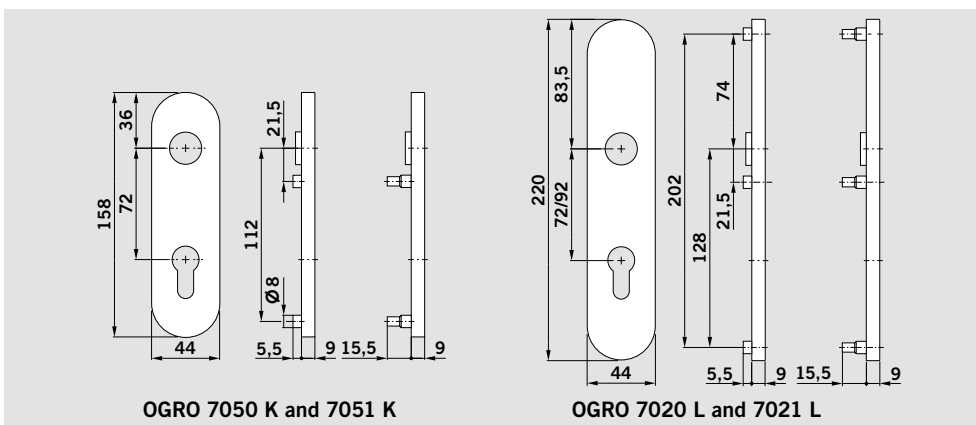
# OGRO ROSES AND BACKPLATES FOR TIMBER DOORS



## Keyholes profiles for roses and backplates

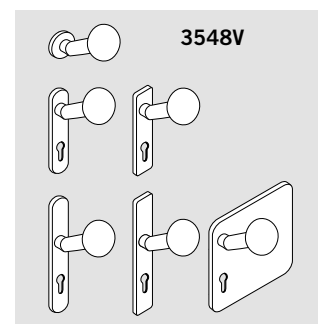
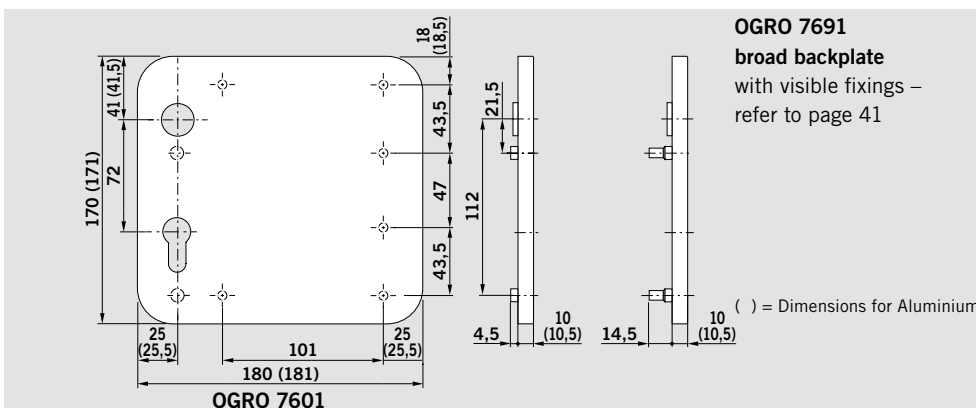
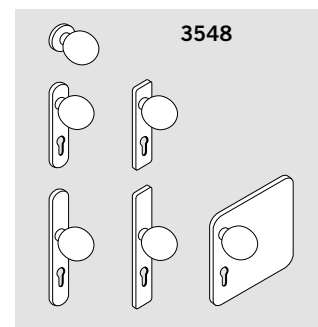
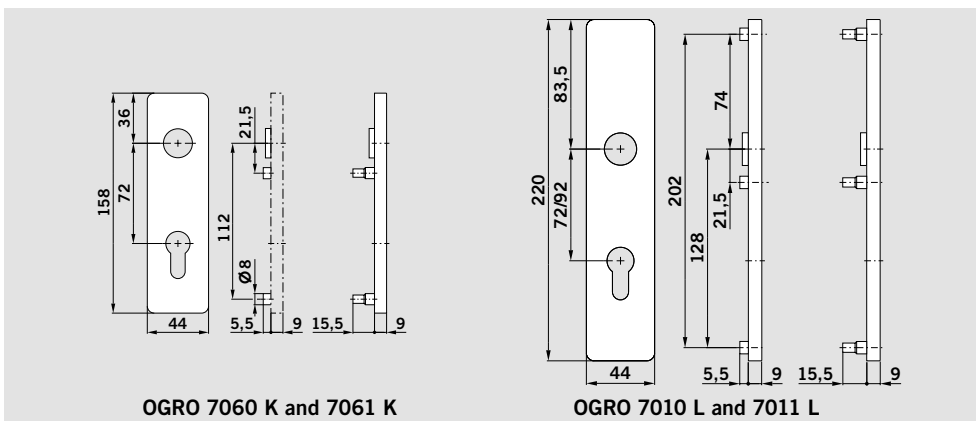
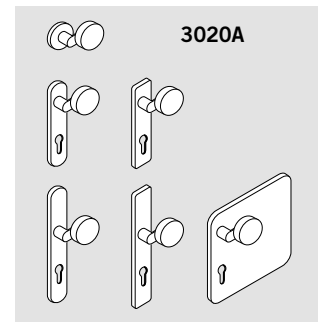


Also available without keyhole (**UN** = unpierced). Other profiles on request.



## Knob roses and backplates

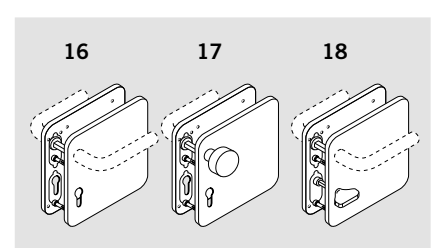
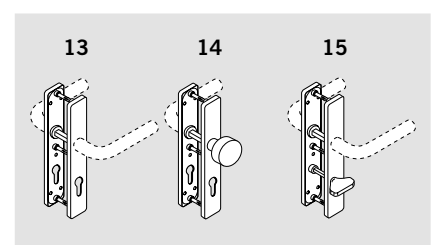
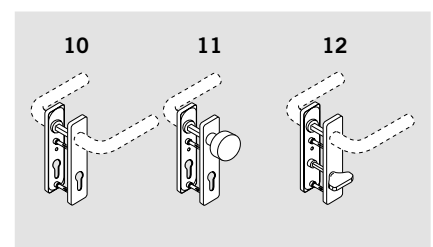
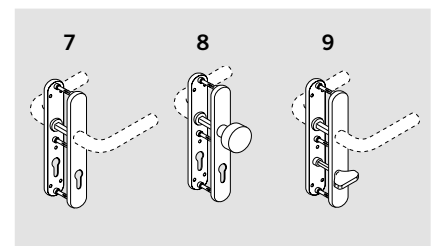
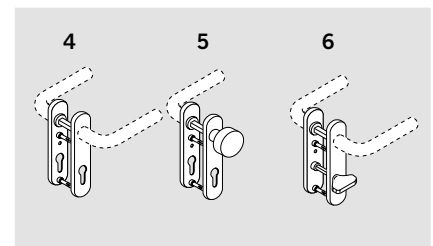
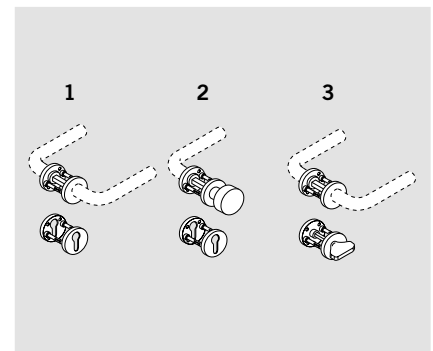
All knob roses and backplates are also available with knob models 3020A, 3548 and 3548V.



Backplates 7011/21, 7051/61 and 7601 with return springs.

# THE OGRO MODULAR SYSTEM FOR TIMBER DOORS

	Return springs one-sided	Without return springs
<b>1</b> Lever handle from page 10/11 Roses Key roses	OGRO 8... OGRO 6501 OGRO 6612	OGRO 8... OGRO 6500 OGRO 6612
<b>2</b> Lever handle from page 10/11 Rose Knob rose Key roses	OGRO 8... OGRO 6501 OGRO 3020 OGRO 6612	OGRO 8... OGRO 6500 OGRO 3020 OGRO 6612
<b>3</b> Lever handle from page 10/11 Roses WC-roses	OGRO 8... OGRO 6501 OGRO 7122 WC	OGRO 8... OGRO 6500 OGRO 7122 WC
<b>4</b> Lever handle from page 10/11 Short backplate, oval	OGRO 8... OGRO 7051 K	OGRO 8... OGRO 7050 K
<b>5</b> Lever handle from page 10/11 Short backplate, oval Knob backplate, short, oval	OGRO 8... OGRO 7051 K OGRO 7050 K / 3020	OGRO 8... OGRO 7050 K OGRO 7050 K / 3020
<b>6</b> Lever handle from page 10/11 Short backplate, WC, oval	OGRO 8... OGRO 7051 K WC	OGRO 8... OGRO 7050 K WC
<b>7</b> Lever handle from page 10/11 Long backplates, oval	OGRO 8... OGRO 7021 L	OGRO 8... OGRO 7020 L
<b>8</b> Lever handle from page 10/11 Short backplate, oval Knob backplate, short, oval	OGRO 8... OGRO 7021 L OGRO 7020 L / 3020	OGRO 8... OGRO 7020 L OGRO 7020 L / 3020
<b>9</b> Lever handle from page 10/11 Long backplate, WC, oval	OGRO 8... OGRO 7021 L WC	OGRO 8... OGRO 7020 L WC
<b>10</b> Lever handle from page 10/11 Short backplate, rectangular	OGRO 8... OGRO 7061 K	OGRO 8... OGRO 7060 K
<b>11</b> Lever handle from page 10/11 Short backplate, rectangular Knob backplate, short, rectangular	OGRO 8... OGRO 7061 K OGRO 7060 K / 3020	OGRO 8... OGRO 7060 K OGRO 7060 K / 3020
<b>12</b> Lever handle from page 10/11 Short backplate, WC, rectangular	OGRO 8... OGRO 7061 K WC	OGRO 8... OGRO 7060 K WC
<b>13</b> Lever handle from page 10/11 Long backplate, rectangular	OGRO 8... OGRO 7011 L	OGRO 8... OGRO 7010 L
<b>14</b> Lever handle from page 10/11 Long backplate, rectangular Knob backplate, long, rectangular	OGRO 8... OGRO 7011 L OGRO 7010 L / 3020	OGRO 8... OGRO 7010 L OGRO 7010 L / 3020
<b>15</b> Lever handle from page 10/11 Long backplate, WC, rectangular	OGRO 8... OGRO 7011 L WC	OGRO 8... OGRO 7010 L WC
<b>16</b> Lever handle from page 10/11 Broad backplates	OGRO 8... OGRO 7601	OGRO 8... OGRO 7600
<b>17</b> Lever handle from page 10/11 Broad backplates Knob broad backplate	OGRO 8... OGRO 7601 OGRO 7600 / 3020	OGRO 8... OGRO 7600 OGRO 7600 / 3020
<b>18</b> Lever handle from page 10/11 Broad backplates, WC	OGRO 8... OGRO 7601 WC	OGRO 8... OGRO 7600 WC



# OGRO DOOR FURNITURE FOR TIMBER DOORS



OGRO 8016



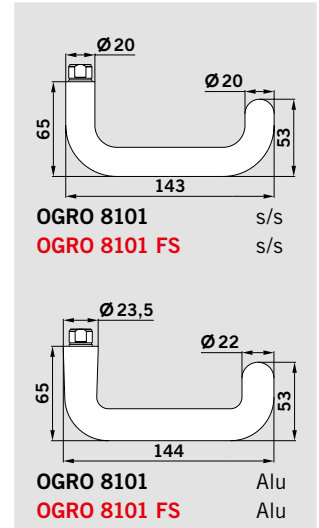
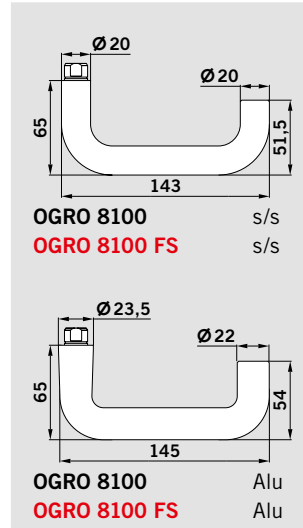
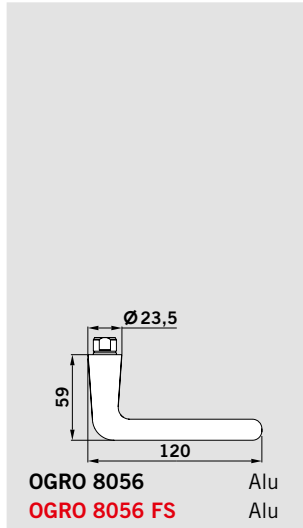
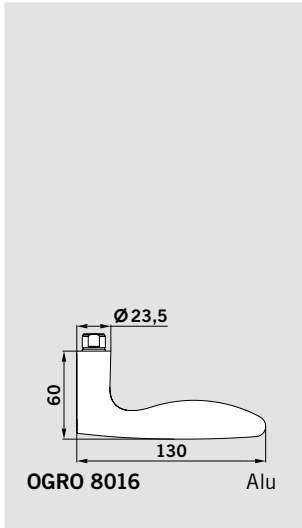
OGRO 8056



OGRO 8100



OGRO 8101



OGRO 8103



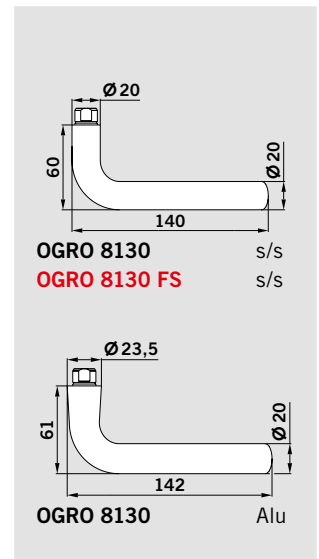
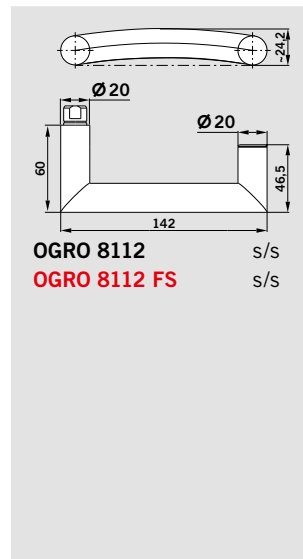
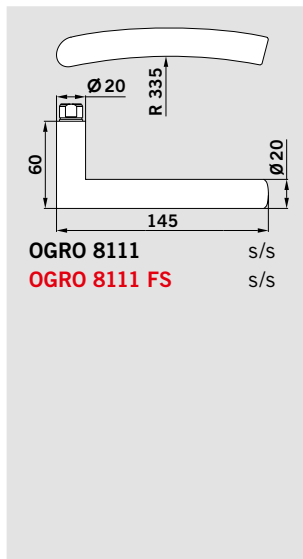
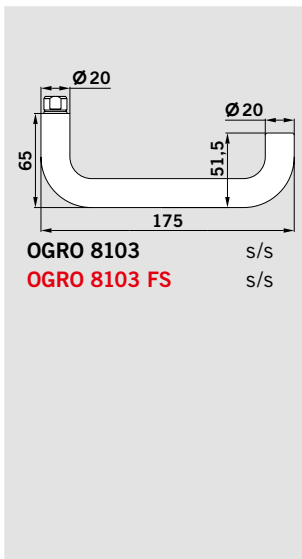
OGRO 8111



OGRO 8112



OGRO 8130



**F** EN 1634-1: Fire resistance tests for door and shutter assemblies

DIN 18273: Lever handle units for fire doors and smoke control doors



**E** EN 179: Emergency exit devices operated by a lever handle or push pad

**B** Particularly suitable for hospitals, senior homes and care institutions, as well as other applications requiring barrier-free accessibility (simple elbow actuation)

**B** Braille available as option for material indicated

■ Stainless steel    ■ Aluminium

**FS** Fire protection





OGRO 8140



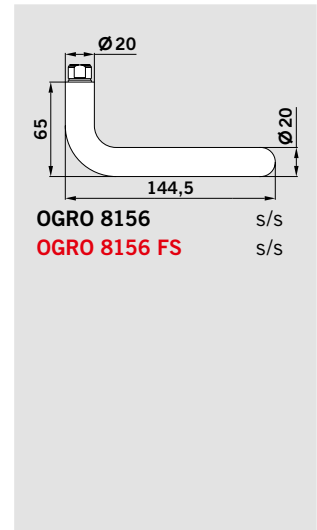
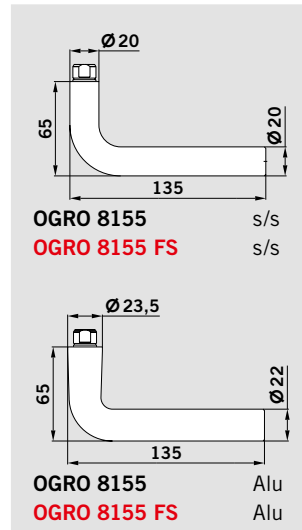
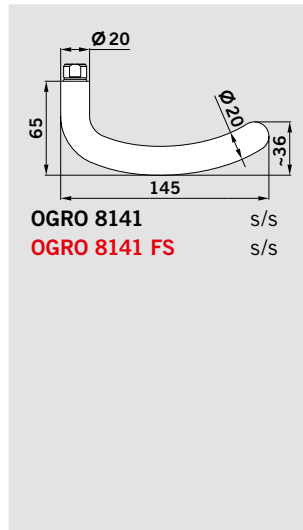
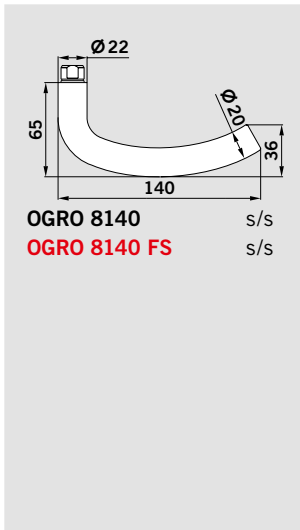
OGRO 8141



OGRO 8155



OGRO 8156



OGRO  
by Bitsch/Nether/Teherani 8200



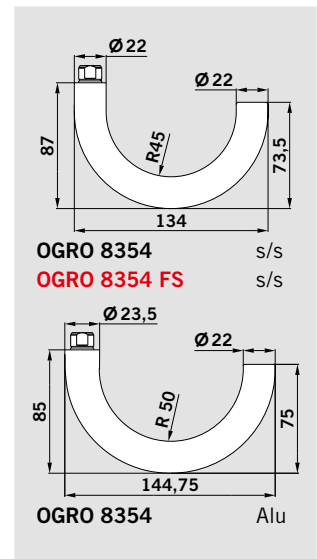
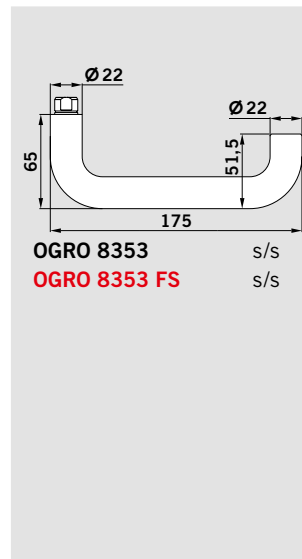
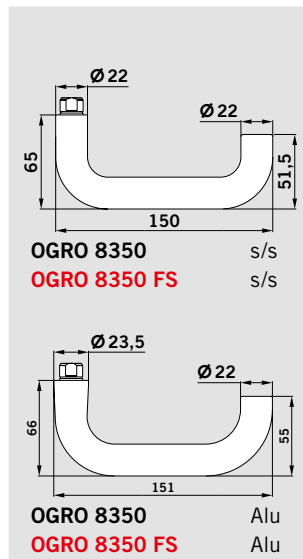
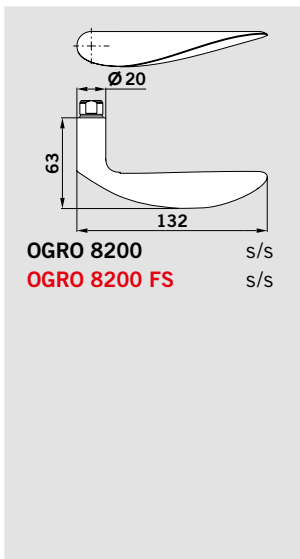
OGRO 8350



OGRO 8353



OGRO 8354



# OGRO DOOR FURNITURE FOR TIMBER DOORS



OGRO 8437



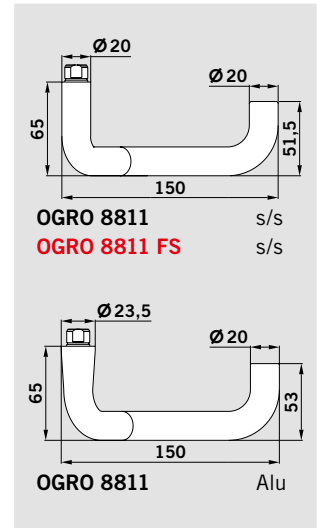
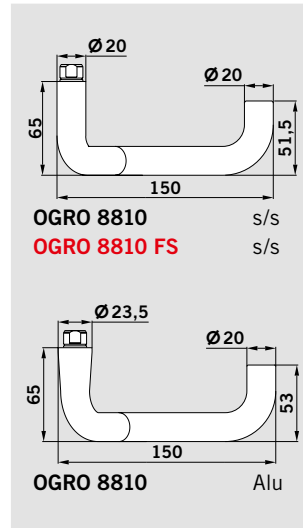
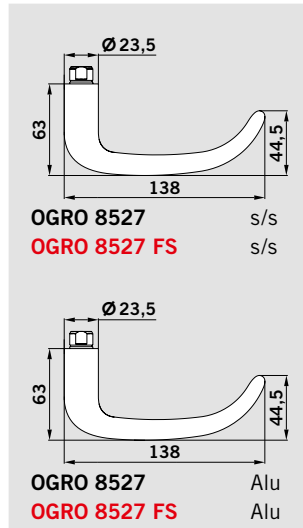
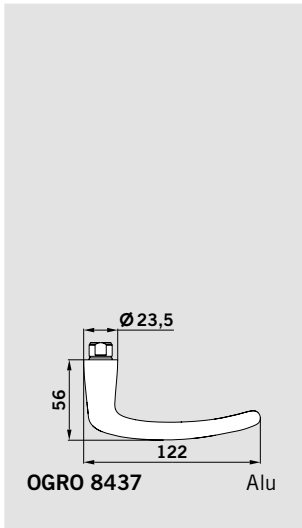
OGRO 8527



OGRO 8810



OGRO 8811



OGRO 8815



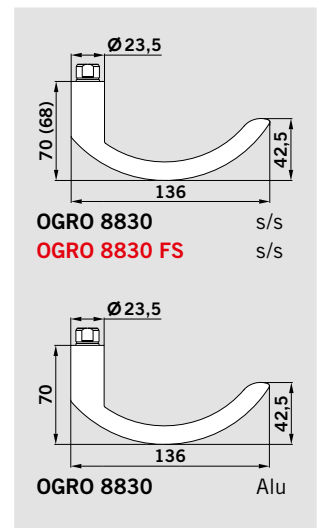
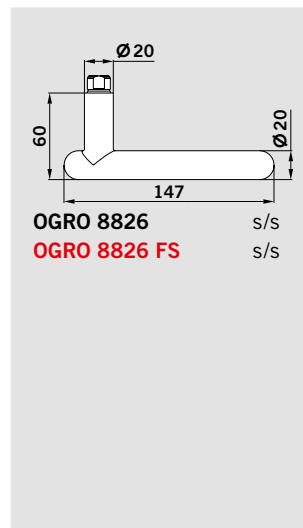
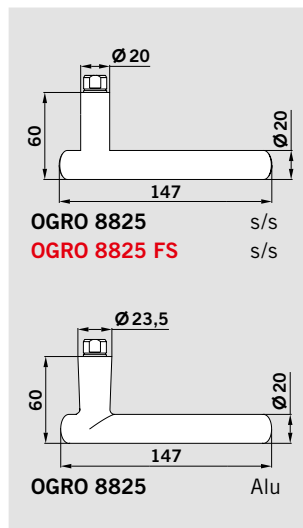
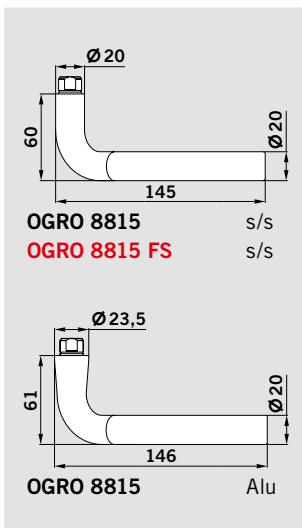
OGRO 8825








OGRO 8826



OGRO by Sieger 8830

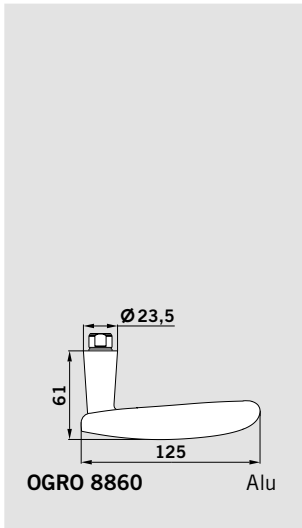


- F** EN 1634-1: Fire resistance tests for door and shutter assemblies
- DIN 18273: Lever handle units for fire doors and smoke control doors 
- E** EN 179: Emergency exit devices operated by a lever handle or push pad

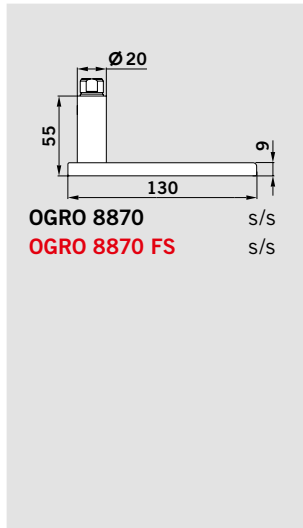
-  Particularly suitable for hospitals, senior homes and care institutions, as well as other applications requiring barrier-free accessibility (simple elbow actuation)
-  Braille available as option for material indicated
-  Stainless steel  Aluminium
- FS** Fire protection



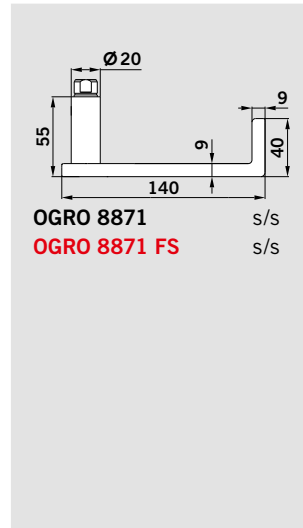
OGRO 8860



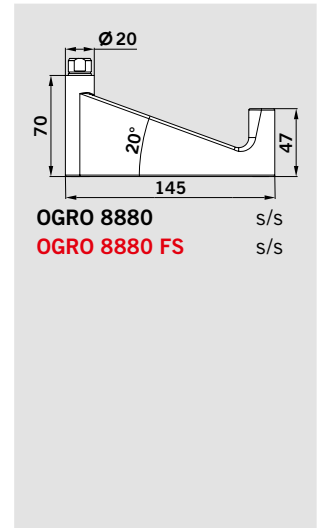
OGRO 8870



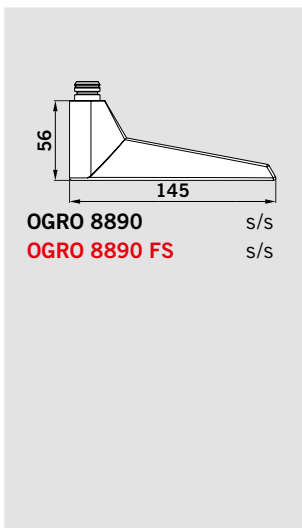
OGRO 8871



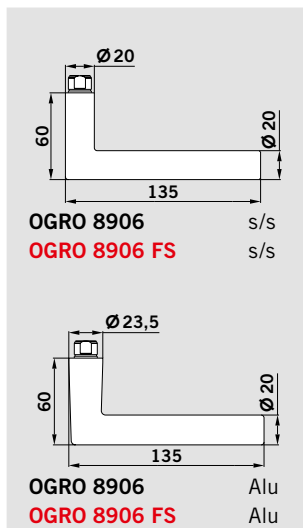
OGRO by Kister 8880



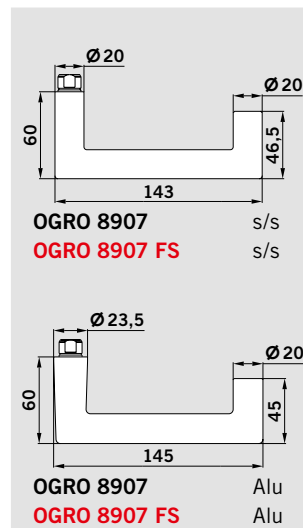
OGRO by Welter 8890



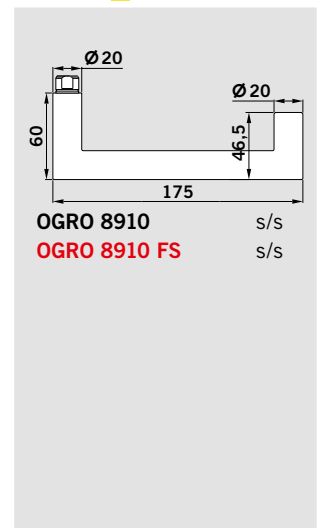
OGRO 8906



OGRO 8907



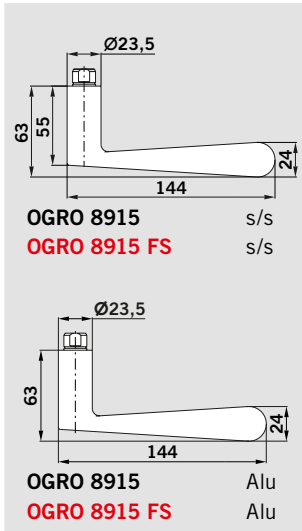
OGRO 8910



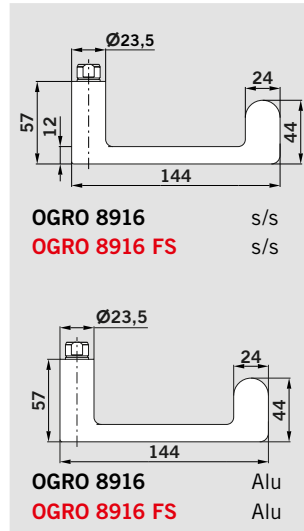
# OGRO DOOR FURNITURE FOR TIMBER DOORS



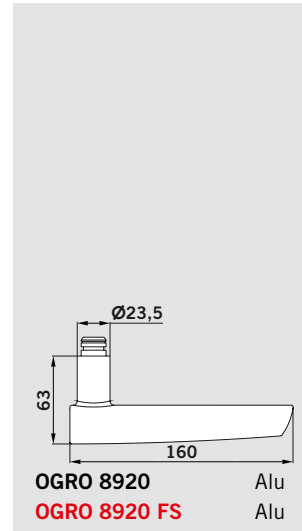
OGRO by Kleihues 8915



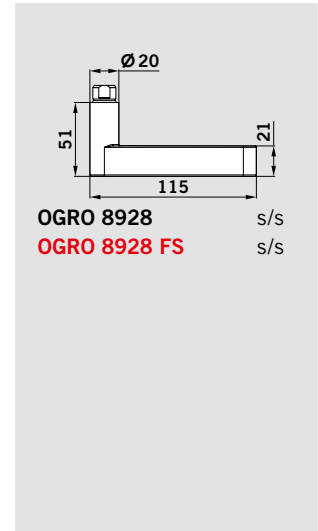
OGRO by Kleihues 8916



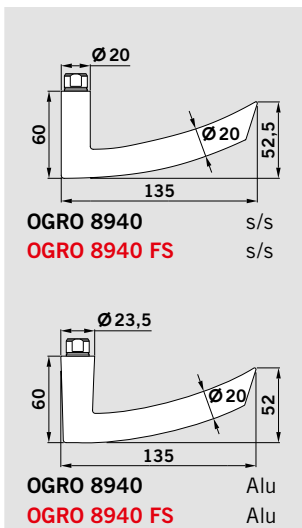
OGRO by Tchoban 8920



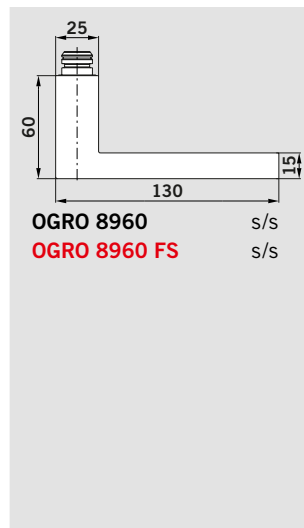
OGRO by Wagenfeld 8928



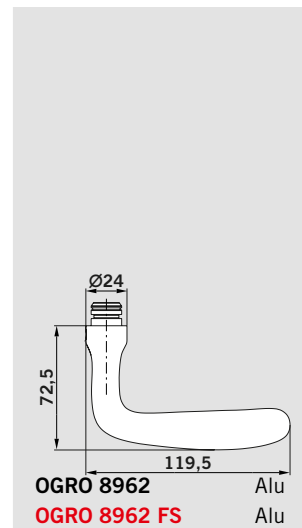
OGRO 8940



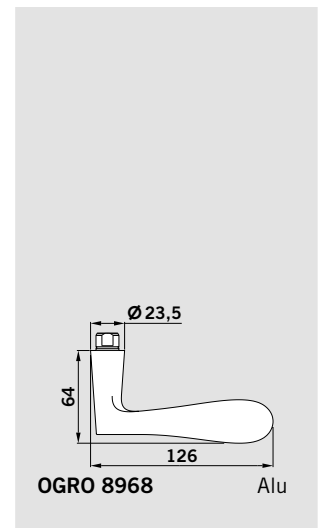
OGRO by Forstner 8960



OGRO by Braun Feldweg 8962



OGRO 8968



F EN 1634-1: Fire resistance tests for door and shutter assemblies

DIN 18273: Lever handle units for fire doors and smoke control doors



E EN 179: Emergency exit devices operated by a lever handle or push pad

⊕ Particularly suitable for hospitals, senior homes and care institutions, as well as other applications requiring barrier-free accessibility (simple elbow actuation)

■ Braille available as option for material indicated

■ Stainless steel ■ Aluminium

FS Fire protection



OGRO by Wagenfeld 8972



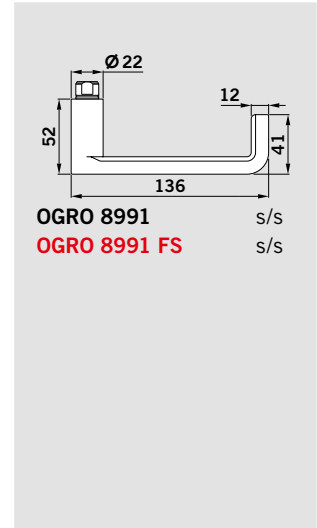
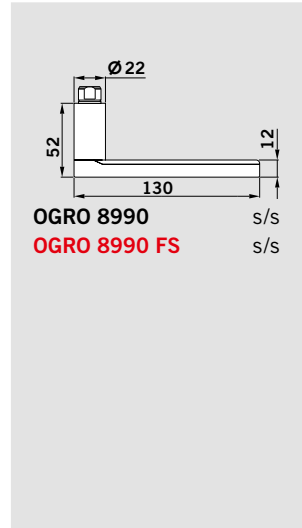
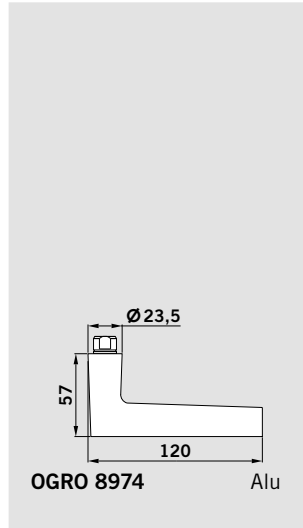
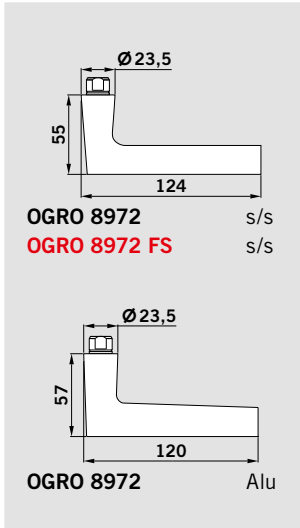
OGRO by Wagenfeld 8974



OGRO by Botti 8990



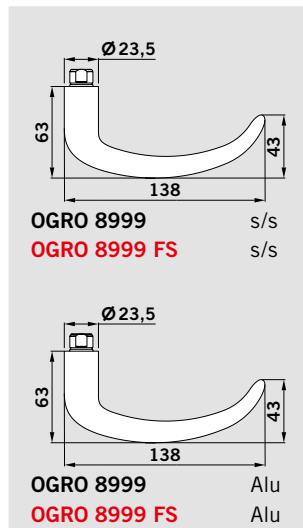
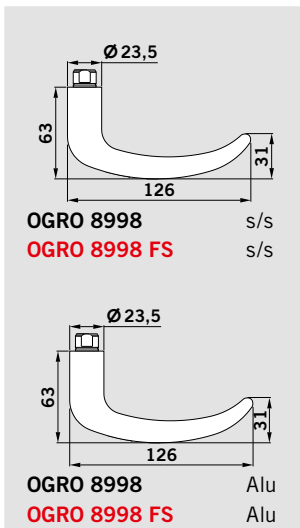
OGRO by Botti 8991



OGRO 8998



OGRO 8999



# OGRO TURNABLE KNOB FURNITURE FOR TIMBER DOORS



OGRO 8020



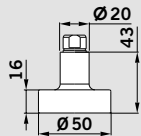
OGRO 8020A



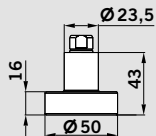
OGRO 8548



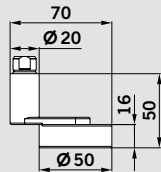
OGRO 8548V



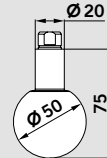
OGRO 8020 s/s  
OGRO 8020 FS s/s



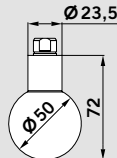
OGRO 8020 Alu  
OGRO 8020 FS Alu



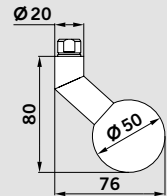
OGRO 8020A s/s  
OGRO 8020A FS s/s



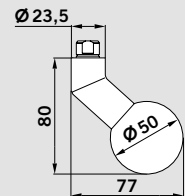
OGRO 8548 s/s  
OGRO 8548 FS s/s




OGRO 8548 Alu  
OGRO 8548 FS Alu







OGRO 8548V s/s  
OGRO 8548V FS s/s



OGRO 8548V Alu  
OGRO 8548V FS Alu

- F** EN 1634-1: Fire resistance tests for door and shutter assemblies
- DIN 18273: Lever handle units for fire doors and smoke control doors 
- E** EN 179: Emergency exit devices operated by a lever handle or push pad

-  Particularly suitable for hospitals, senior homes and care institutions, as well as other applications requiring barrier-free accessibility (simple elbow actuation)
-  Braille available as option for material indicated
-  Stainless steel  Aluminium
- FS** Fire protection

# OGRO FIXED KNOB FURNITURE FOR TIMBER DOORS



OGRO 3020



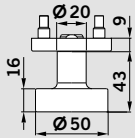
OGRO 3020A



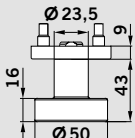
OGRO 3548



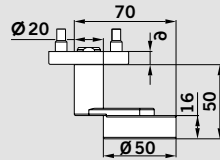
OGRO 3548V



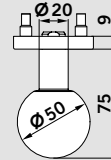
OGRO 3020 s/s  
OGRO 3020 FS s/s



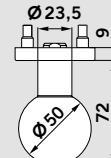
OGRO 3020 Alu  
OGRO 3020 FS Alu



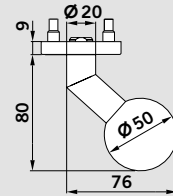
OGRO 3020A s/s  
OGRO 3020A FS s/s



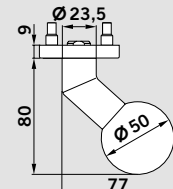
OGRO 3548 s/s  
OGRO 3548 FS s/s



OGRO 3548 Alu  
OGRO 3548 FS Alu



OGRO 3548V s/s  
OGRO 3548V FS s/s



OGRO 3548V Alu  
OGRO 3548V FS Alu

# OGRO LEVER HANDLES FOR NARROW-STILE DOORS



OGRO 8100



OGRO 8100A



OGRO 8100V



OGRO 8101



OGRO 8101A



OGRO 8111



OGRO 8112



OGRO 8140



OGRO 8140A



OGRO 8141



OGRO 8141A



OGRO 8155V



OGRO 8350A



OGRO 8350V



OGRO 8527



OGRO 8527A



OGRO by Sieger 8830



OGRO by Sieger 8830A



OGRO 8871V



OGRO 8906



OGRO 8906A



OGRO 8906V



OGRO 8907



OGRO 8907A



**F** EN 1634-1: Fire resistance tests for door and shutter assemblies

DIN 18273: Lever handle units for fire doors and smoke control doors

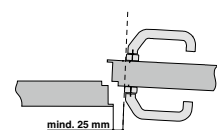


**E** EN 179: Emergency exit devices operated by a lever handle or push pad

Braille available as option for material indicated

Stainless steel

Aluminium



**Please note:** A minimum clearance of 25 mm must be maintained between the lever handle and the frame stop.





OGRO 8907V



OGRO by Kleihues 8916



OGRO by Kleihues 8916A



OGRO by Wagenfeld 8928



OGRO 8928A



OGRO 8940



OGRO 8940A



OGRO by Wagenfeld 8972



OGRO by Wagenfeld 8972A



OGRO by Botti 8991



OGRO by Botti 8991A



OGRO 8998



OGRO 8998A



OGRO 8999



OGRO 8999A



## OGRO TURNABLE KNOB FURNITURE FOR NARROW-STILE DOORS



OGRO 8020



OGRO 8020A



OGRO 8548



OGRO 8548V



## OGRO FIXED KNOB FURNITURE FOR NARROW-STILE DOORS



OGRO 3020 O/U



OGRO 3020A O/U



OGRO 3548 O/U



OGRO 3548V O/U



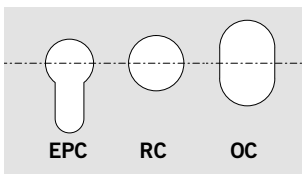
O = on oval rose U = on rectangular rose

# THE OGRO MODULAR SYSTEM FOR NARROW-STILE DOORS

	Return springs	Without return springs
<b>1</b> Lever handle from page 24/25	OGRO 8...	OGRO 8...
	1 piece oval rose	OGRO 6621
	1 piece oval key rose	OGRO 6679
<b>2</b> 1 piece oval knob rose	OGRO 3020 O	OGRO 3020 O
	1 piece oval key rose	OGRO 6679
<b>3</b> Lever handles from page 24/25	OGRO 8...	OGRO 8...
	1 pair oval roses	OGRO 6621
	1 pair oval key roses	OGRO 6679
<b>4</b> Lever handle from page 24/25	OGRO 8...	OGRO 8...
	1 piece oval rose	OGRO 6621
	1 piece oval knob rose	OGRO 3020 O
	1 pair oval key roses	OGRO 6679
<b>5</b> Lever handle from page 24/25	OGRO 8...	OGRO 8...
	1 piece rectangular rose	OGRO 6611
	1 piece rectangular key rose	OGRO 6676
<b>6</b> 1 piece rectangular knob rose	OGRO 3020 U	OGRO 3020 U
	1 piece rectangular key rose	OGRO 6676
<b>7</b> Lever handles from page 24/25	OGRO 8...	OGRO 8...
	1 pair rectangular roses	OGRO 6611
	1 pair rectangular key roses	OGRO 6676
<b>8</b> Lever handle from page 24/25	OGRO 8...	OGRO 8...
	1 piece rectangular rose	OGRO 6611
	1 piece rectangular knob rose	OGRO 3020 U
	1 pair rectangular key roses	OGRO 6676

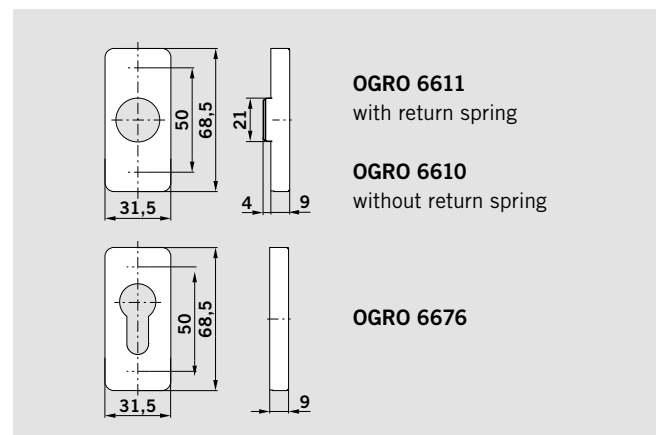
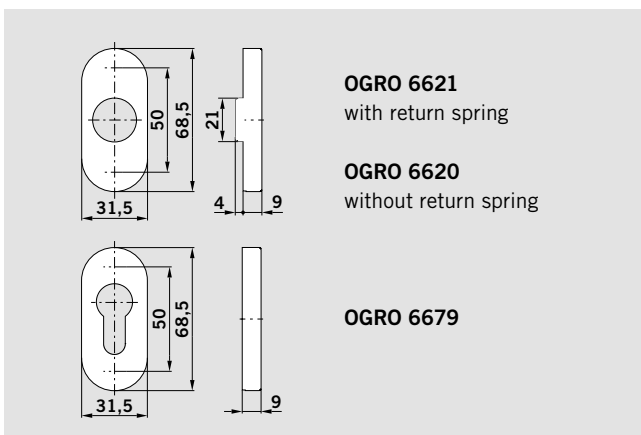
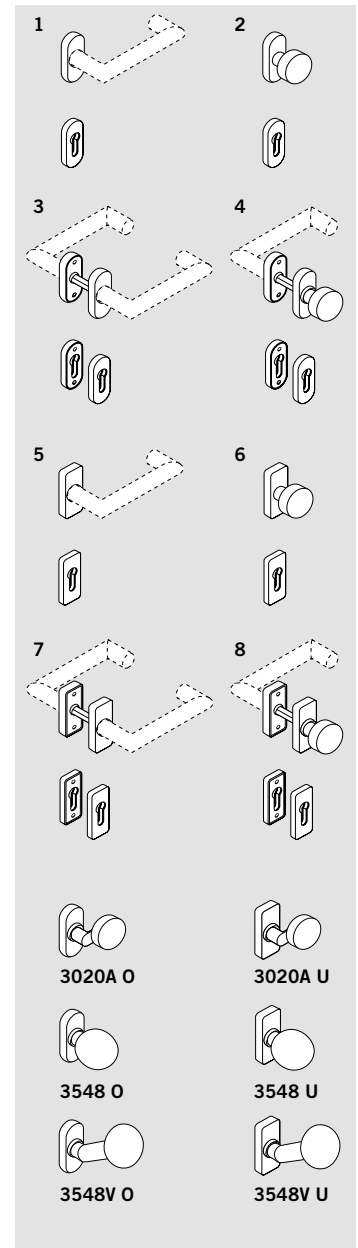
Knob roses are also available with knob models 3020A, 3548 und 3548V.

**Keyhole profiles:** Key roses 6679 and 6676 are available with the following profiles



We recommend the use of blind rivet nuts (flush with the door surface) for the installation of the roses. If blind rivet nuts with plunged boss (flange) are used, do we offer OGRO shims 6621D (for oval roses) and 6611D (for rectangular roses)

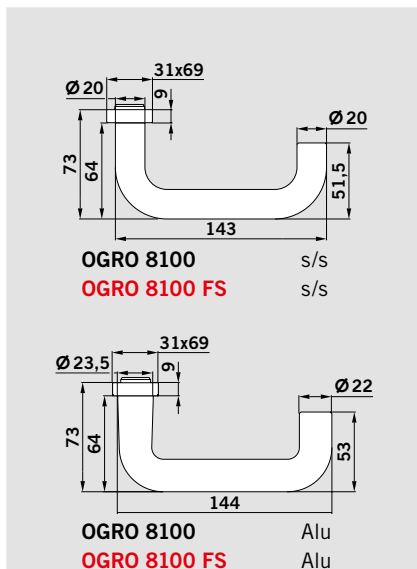
Also available without keyhole (**UN** = unpierced). Other profiles on request.



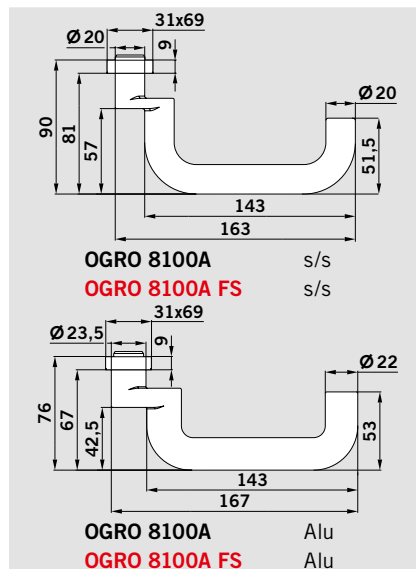
# OGRO DOOR FURNITURE FOR NARROW-STILE DOORS



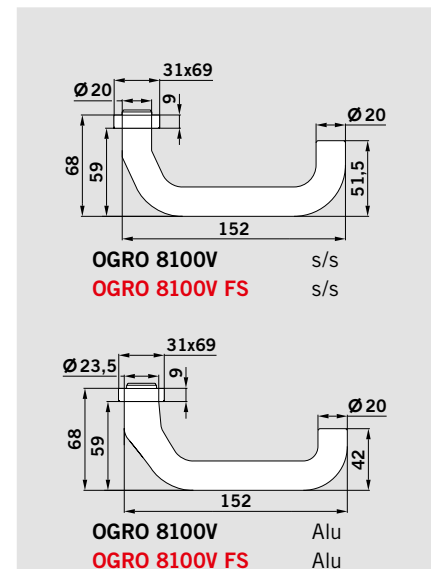
OGRO 8100



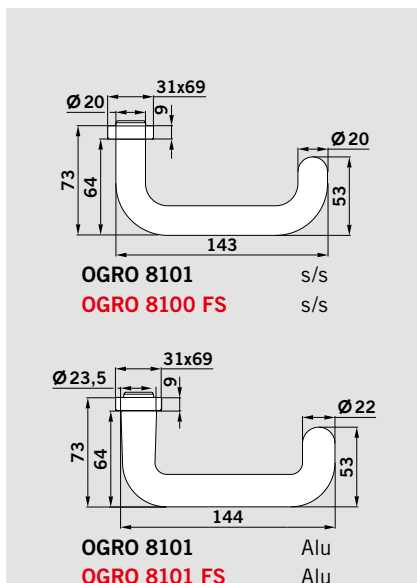
OGRO 8100A



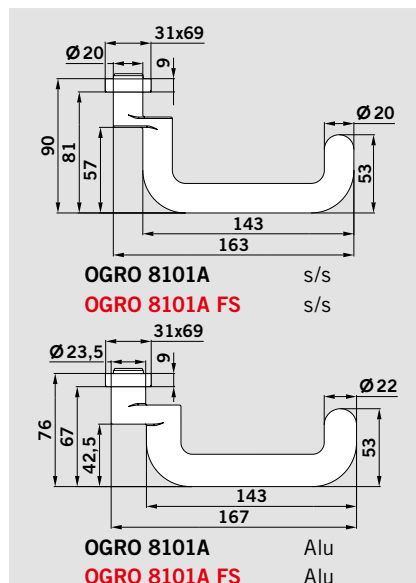
OGRO 8100V



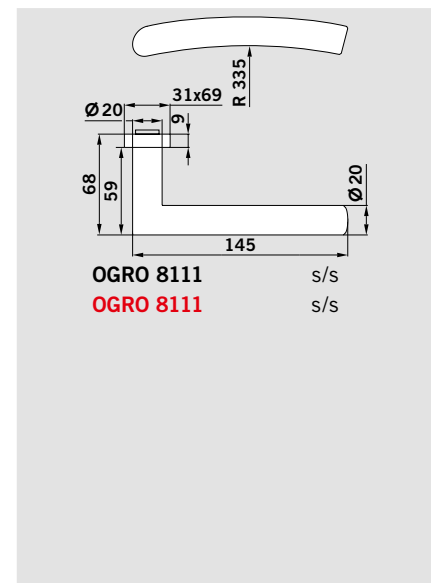
OGRO 8101



OGRO 8101A



OGRO 8111



- F** EN 1634-1: Fire resistance tests for door and shutter assemblies  
DIN 18273: Lever handle units for fire doors and smoke control doors
- E** EN 179: Emergency exit devices operated by a lever handle or push pad



- B** Braille available as option for material indicated

- Stainless steel      **■** Aluminium
- FS** Fire protection

# OGRO DOOR FURNITURE FOR NARROW-STILE DOORS



OGRO 8112

F E ■



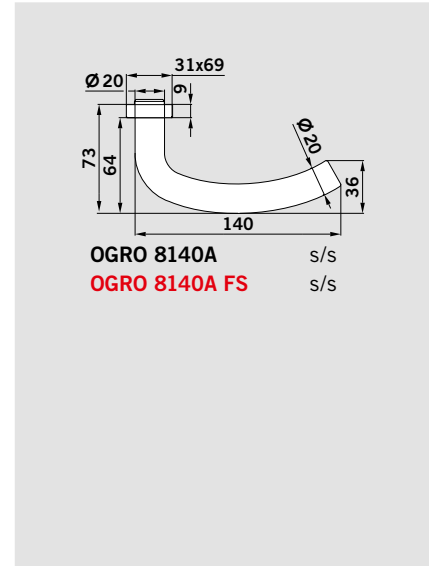
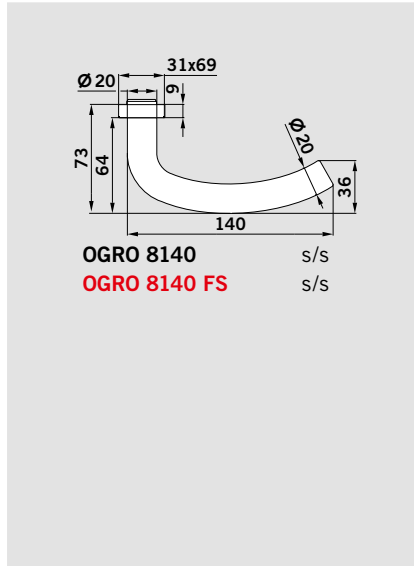
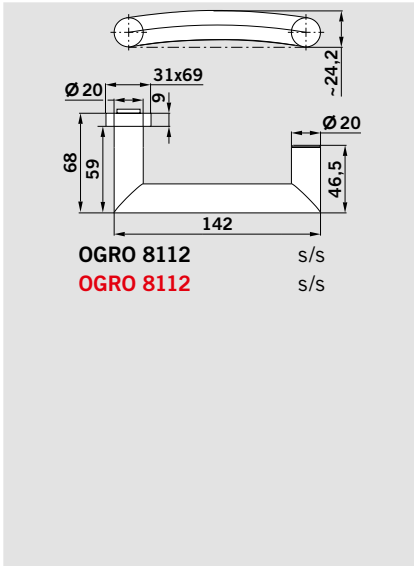
OGRO 8140

F ■



OGRO 8140A

F ■



OGRO 8141

F ■



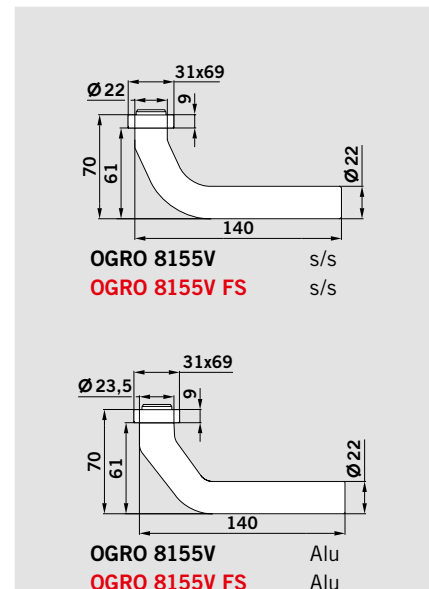
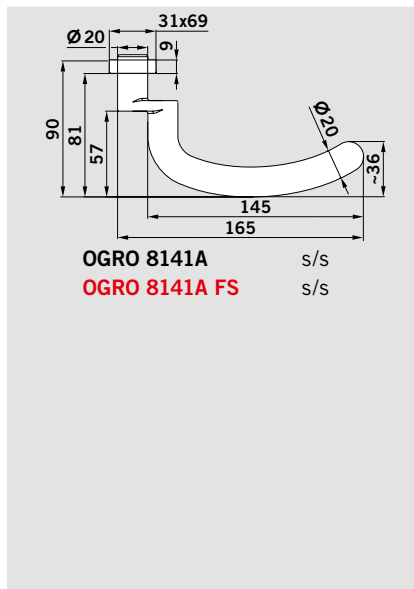
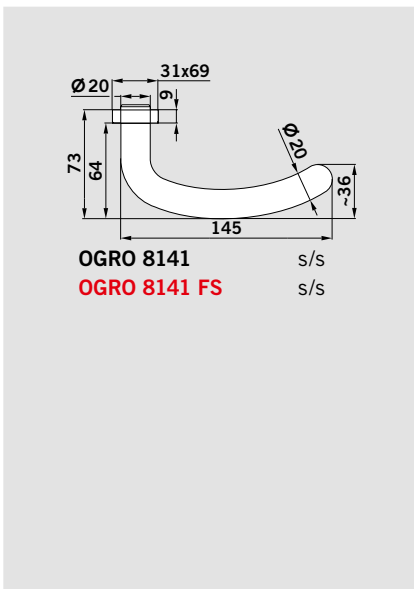
OGRO 8141A

F ■



OGRO 8155V

F ■ ■  
■ ■



- F** EN 1634-1: Fire resistance tests for door and shutter assemblies  
DIN 18273: Lever handle units for fire doors and smoke control doors
- E** EN 179: Emergency exit devices operated by a lever handle or push pad

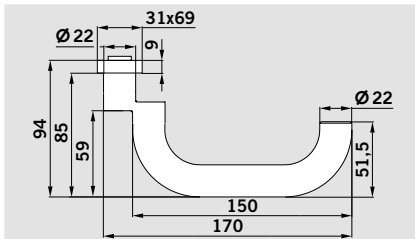


- Braille available as option for material indicated

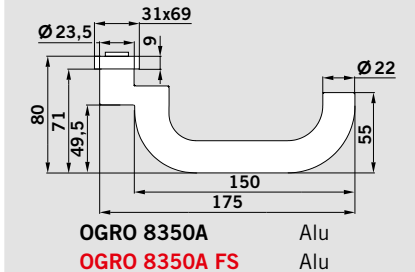
- Stainless steel    ■ Aluminium
- FS** Fire protection



OGRO 8350A



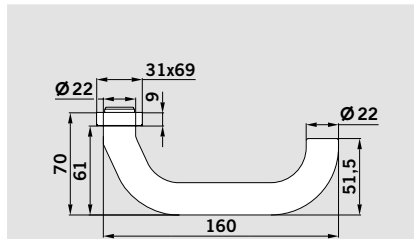
OGRO 8350A s/s  
OGRO 8350A FS s/s



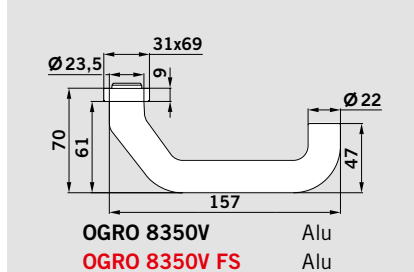
OGRO 8350A Alu  
OGRO 8350A FS Alu



OGRO 8350V



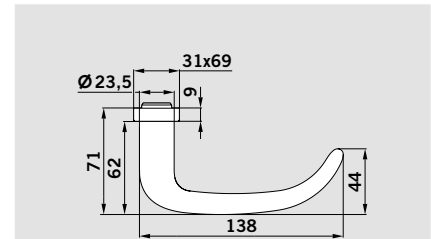
OGRO 8350V s/s  
OGRO 8350V FS s/s



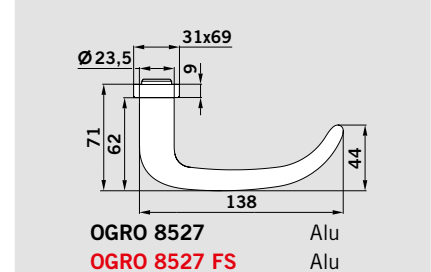
OGRO 8350V Alu  
OGRO 8350V FS Alu



OGRO 8527



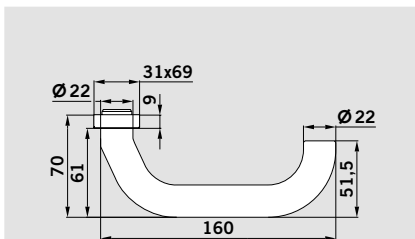
OGRO 8527 s/s  
OGRO 8527 FS s/s



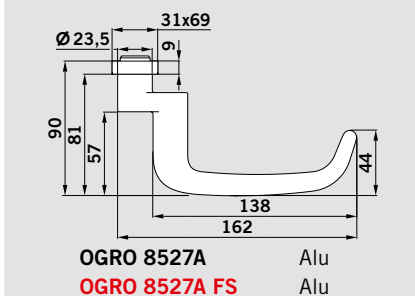
OGRO 8527 Alu  
OGRO 8527 FS Alu



OGRO 8527A



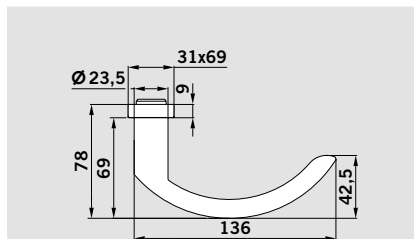
OGRO 8527A s/s  
OGRO 8527A FS s/s



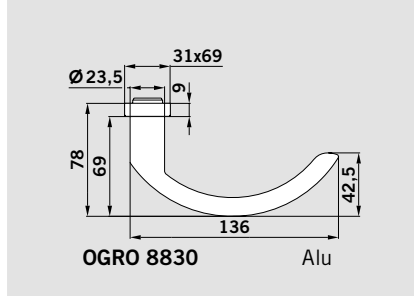
OGRO 8527A Alu  
OGRO 8527A FS Alu



OGRO by Sieger 8830



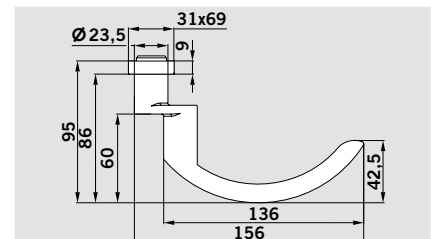
OGRO 8830 s/s  
OGRO 8830 FS s/s



OGRO 8830 Alu



OGRO by Sieger 8830A

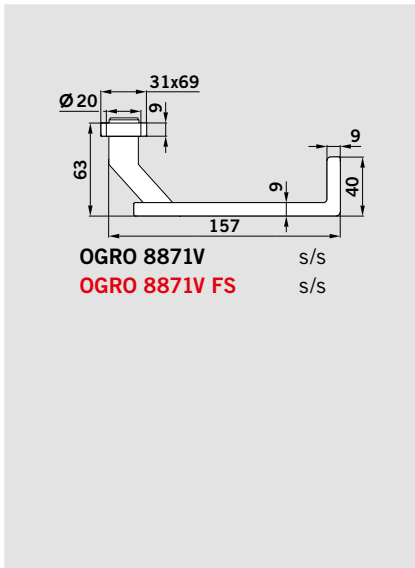


OGRO 8830A s/s  
OGRO 8830A FS s/s

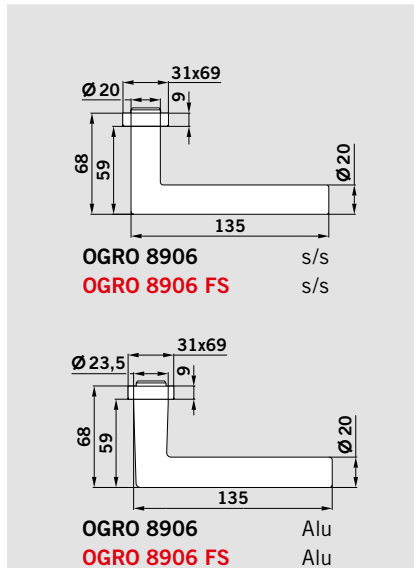
# OGRO DOOR FURNITURE FOR NARROW-STILE DOORS



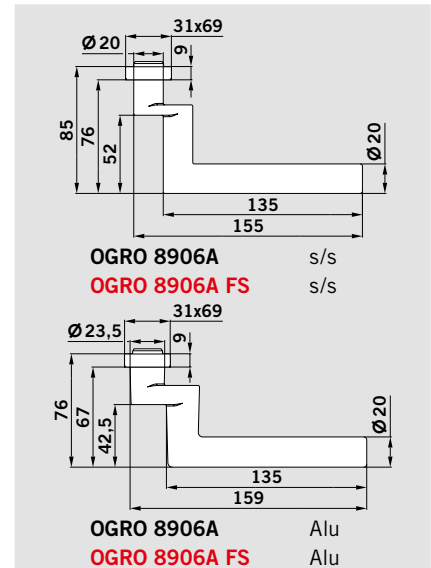
**OGRO 8871V**



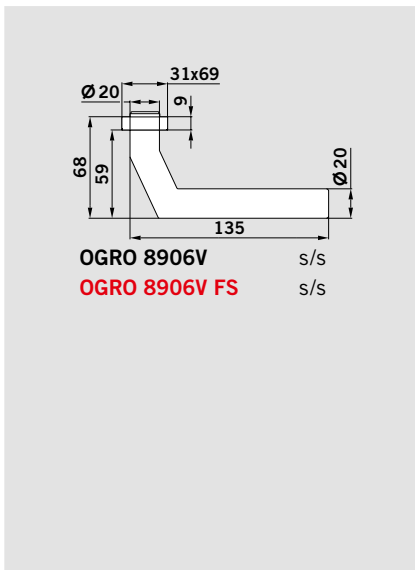
**OGRO 8906**



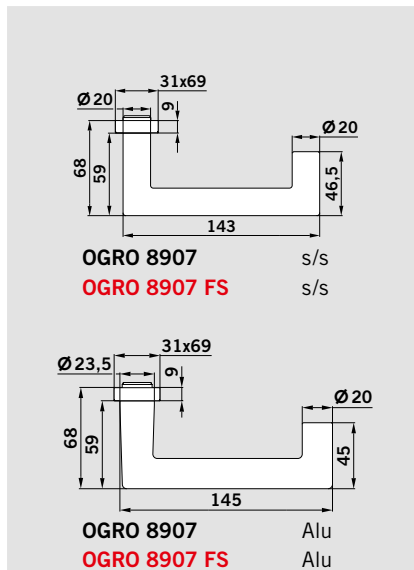
**OGRO 8906A**



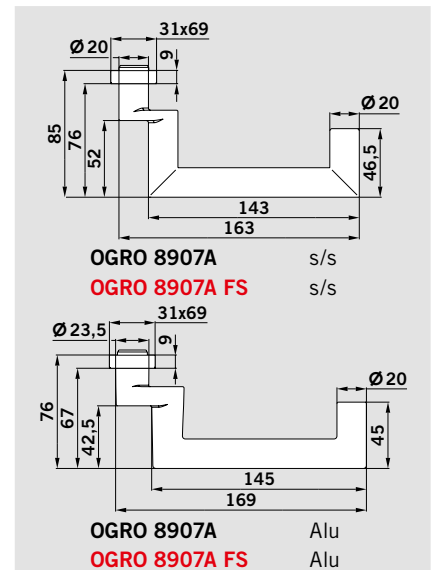
**OGRO 8906V**



**OGRO 8907**



**OGRO 8907A**



- F** EN 1634-1: Fire resistance tests for door and shutter assemblies  
 DIN 18273: Lever handle units for fire doors and smoke control doors
- E** EN 179: Emergency exit devices operated by a lever handle or push pad

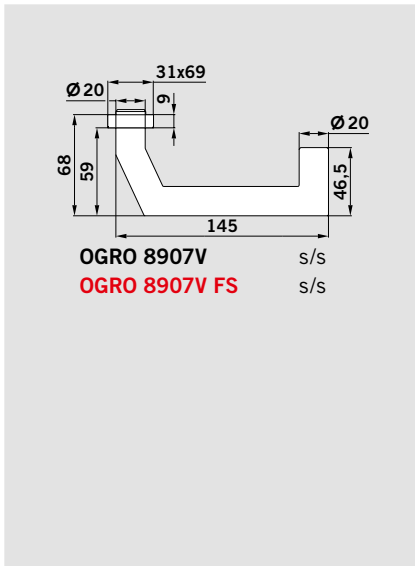


- Braille** available as option for material indicated

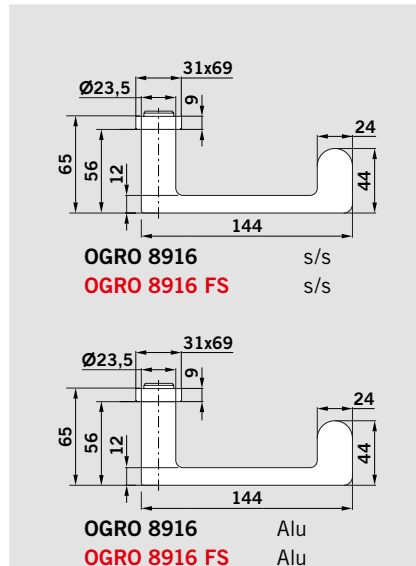
- Stainless steel**      **Aluminium**
- FS** Fire protection



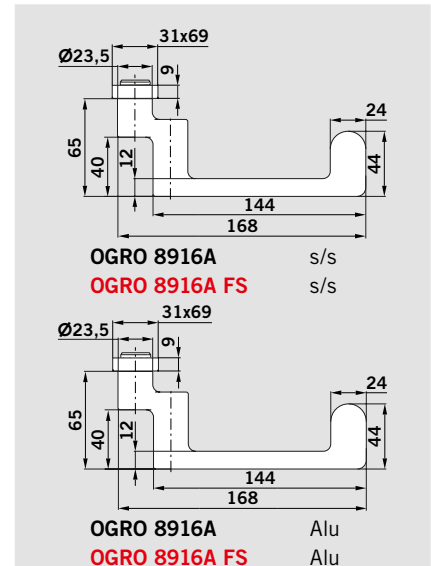
OGRO 8907V



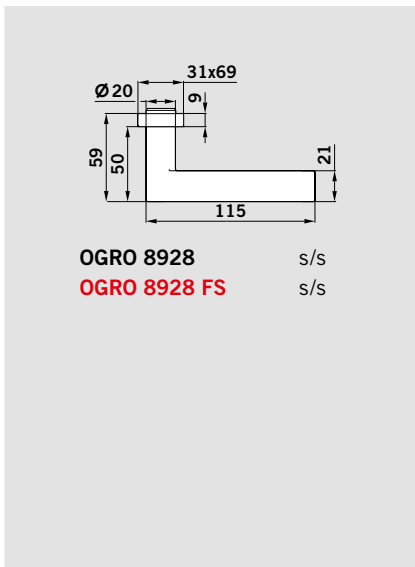
OGRO by Kleihues 8916



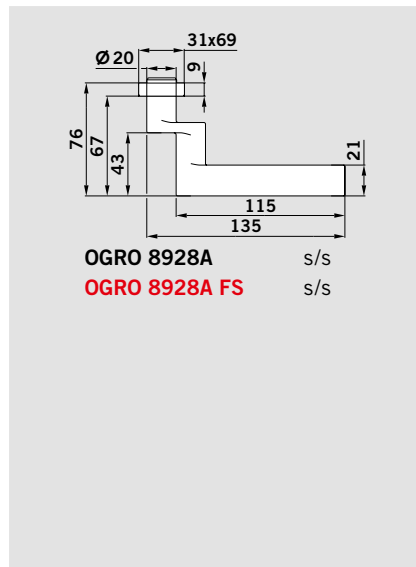
OGRO by Kleihues 8916A



OGRO by Wagenfeld 8928



OGRO by Wagenfeld 8928A



# OGRO DOOR FURNITURE FOR NARROW-STILE DOORS



OGRO 8940

F ■ ■



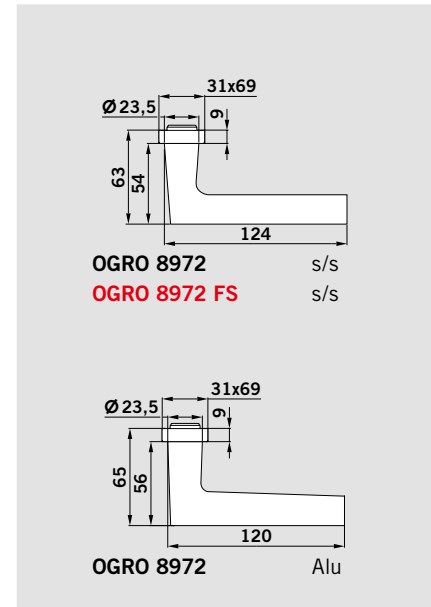
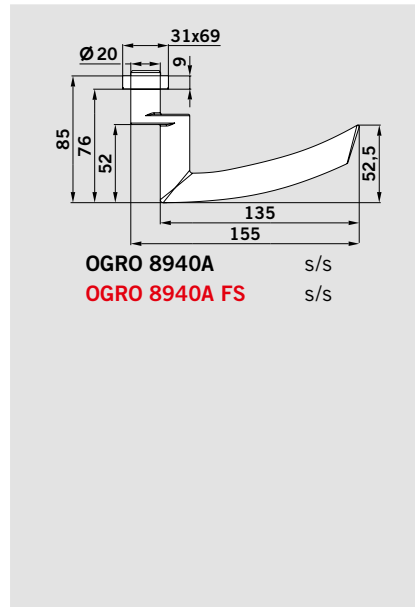
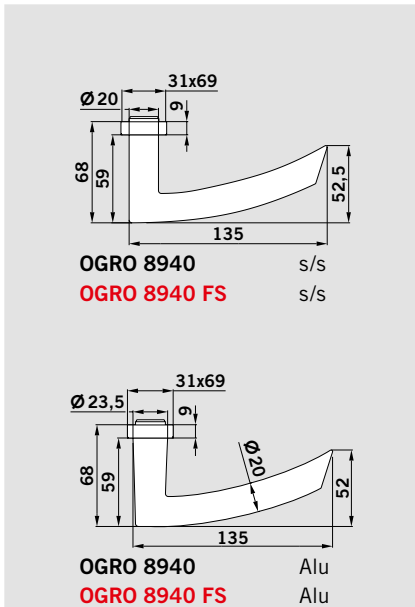
OGRO 8940A

F ■



OGRO by Wagenfeld 8972

F ■ ■  
♠



OGRO by Wagenfeld 8972A

F ■  
♠



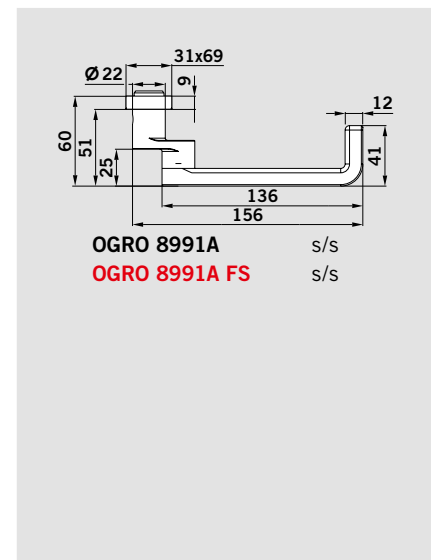
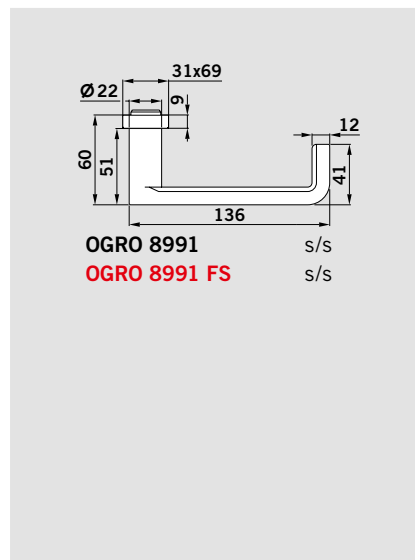
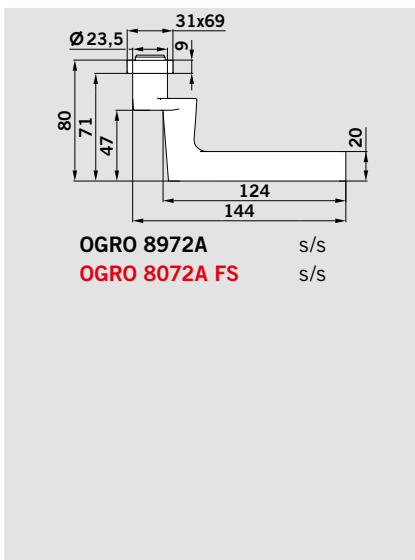
OGRO by Botti 8991

F E ■  
♠



OGRO by Botti 8991A

F E ■  
♠



- F EN 1634-1: Fire resistance tests for door and shutter assemblies  
DIN 18273: Lever handle units for fire doors and smoke control doors
- E EN 179: Emergency exit devices operated by a lever handle or push pad



- ♠ Braille available as option for material indicated

- Stainless steel    ■ Aluminium
- F Fire protection





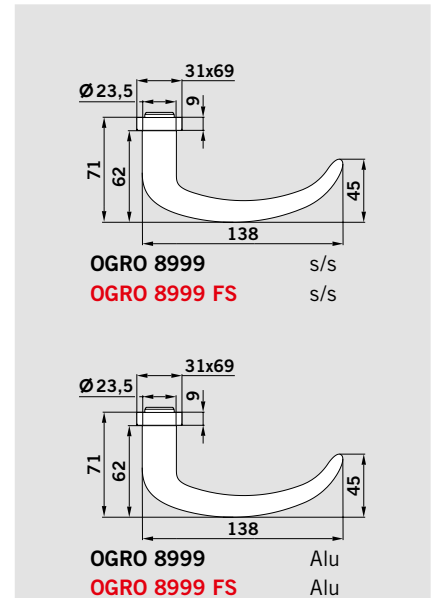
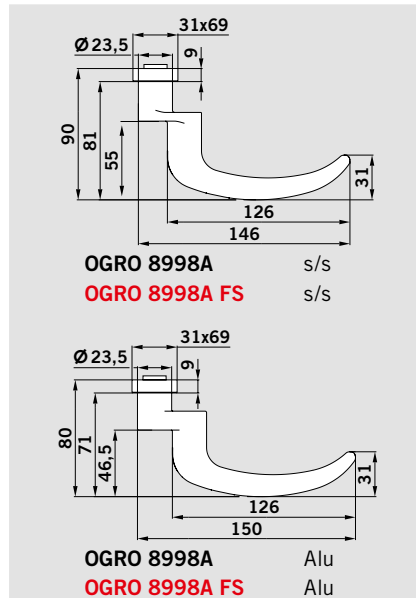
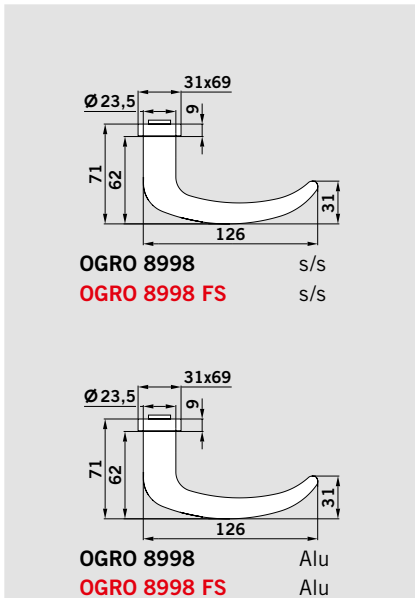
OGRO 8998



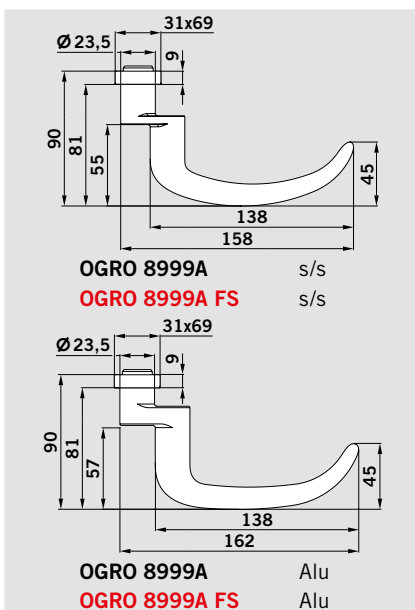
OGRO 8998A



OGRO 8999



OGRO 8999A



# OGRO DOOR FURNITURE FOR NARROW-STILE DOORS



OGRO 8020



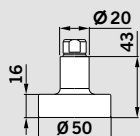
OGRO 8020A



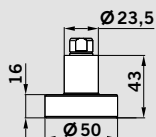
OGRO 8548



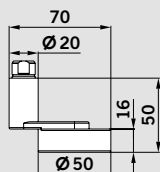
OGRO 8548V



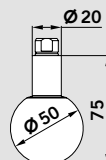
OGRO 8020 s/s  
OGRO 8020 FS s/s



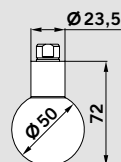
OGRO 8020 Alu  
OGRO 8020 FS Alu



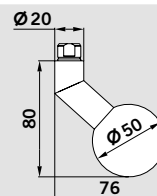
OGRO 8020A s/s  
OGRO 8020A FS s/s



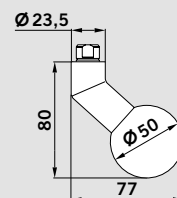
OGRO 8548 s/s  
OGRO 8548 FS s/s



OGRO 8548 Alu  
OGRO 8548 FS Alu



OGRO 8548V s/s  
OGRO 8548V FS s/s



OGRO 8548V Alu  
OGRO 8548V FS Alu

- F** EN 1634-1: Fire resistance tests for door and shutter assemblies  
DIN 18273: Lever handle units for fire doors and smoke control doors
- E** EN 179: Emergency exit devices operated by a lever handle or push pad



- ♠** Braille available as option for material indicated

- Stainless steel      ■ Aluminium
- FS** Fire protection

## OGRO FIXED KNOB FURNITURE FOR NARROW-STILE DOORS



OGRO 3020



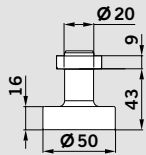
OGRO 3020A



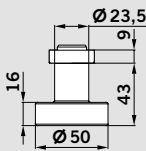
OGRO 3548



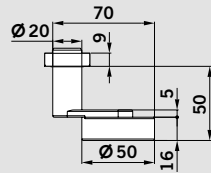
OGRO 3548V



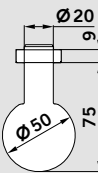
OGRO 3020 O/U s/s  
OGRO 3020 O/U FS s/s



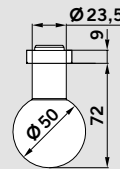
OGRO 3020 O/U Alu  
OGRO 3020 O/U FS Alu



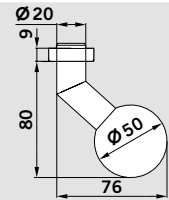
OGRO 3020A O/U s/s  
OGRO 3020A O/U FS s/s



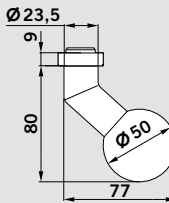
OGRO 3548 O/U s/s  
OGRO 3548 O/U FS s/s



OGRO 3548 O/U Alu  
OGRO 3548 O/U FS Alu



OGRO 3548V O/U s/s  
OGRO 3548V O/U FS s/s



OGRO 3548V O/U Alu  
OGRO 3548V O/U FS Alu

## OGRO FLUSH KNOB FURNITURE FOR NARROW-STILE DOORS



OGRO RENOVİ 3020



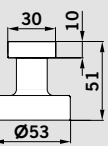
OGRO RENOVİ 3020A



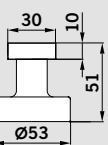
OGRO RENOVİ 3548



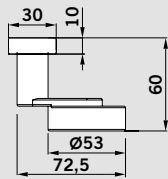
OGRO RENOVİ 3548V



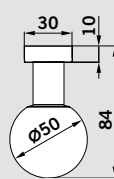
OGRO RENOVİ 3020 O/U s/s  
OGRO RENOVİ 3020 O/U FS s/s



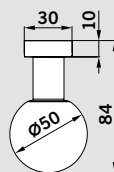
OGRO RENOVİ 3020 O/U Alu  
OGRO RENOVİ 3020 O/U FS Alu



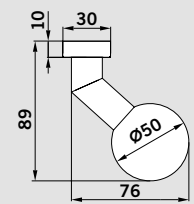
OGRO RENOVİ 3020A O/U s/s  
OGRO RENOVİ 3020A O/U FS s/s



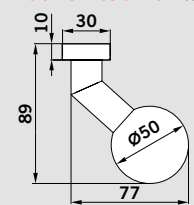
OGRO RENOVİ 3548 O/U s/s  
OGRO RENOVİ 3548 O/U FS s/s



OGRO RENOVİ 3548 O/U Alu  
OGRO RENOVİ 3548 O/U FS Alu















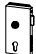


OGRO RENOVİ 3548V O/U s/s  
OGRO RENOVİ 3548V O/U FS s/s









OGRO RENOVİ 3548V O/U Alu  
OGRO RENOVİ 3548V O/U FS Alu

O = on oval rose U = on rectangular rose

# LOCKS FOR GLASS DOORS

Locks with follower		Adapter	
Studio Rondo, non-locking		6590	<div style="text-align: center;"> <p><b>6590</b></p>   </div>
Studio Rondo		6590	
Studio Classic, non-locking –		6590	
Studio Classic		6590	
Studio Gala, non-locking –		6590	
Studio Gala		6590	
Medio		6590	
ARCOS Studio, non-locking –		6595	
ARCOS Studio		6595	
Junior Office		6595	
Junior Office Classic		6595	
ARCOS Office		6595	<div style="text-align: center;"> <p><b>6595</b></p>  </div>

Locks for lever handles with roses		
Studio Rondo*		–
Studio Classic*		–
ARCOS Studio*		–
Junior Office		–
Junior Office Classic		–
ARCOS Office		–

\*Please note: Studio Rondo, Studio Classic and ARCOS Studio locks in the version „with rose, not lockable” cannot be combined with OGRO and PLUS lever handles.

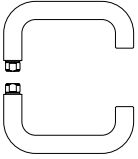
# OGRO SCREWS AND SPINDLES

The OGRO base parts are equipped with long support lugs in order to handle different door thicknesses with the same fixing

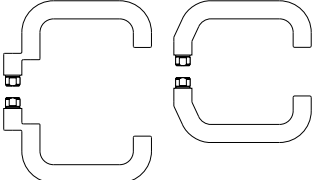
screw length. Identical screw and spindle length intervals simplify material and stock management.

Door lever handles for narrow-stile doors (A- or V-type lever handles) require different spindle lengths.

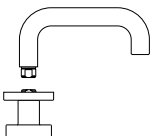
## Screws and spindles for OGRO lever handles

	OGRO 95 Screws for timber doors		OGRO 114 8 mm	OGRO 114 FS 9 mm
	Door thickness	Size	Length	Length
	25-34	M5x40	114-102	114 FS-89
	35-50	M5x50	114-112	114 FS-105
	51-65	M5x65	114-128	114 FS-120
	66-80	M5x80	114-143	114 FS-135
	81-95	M5x95	114-158	114 FS-150
	96-110	M5x110	114-173	114 FS-165

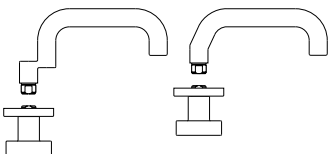
## Screws and spindles for OGRO A- and V-type lever handles

	OGRO 95 Screws for timber doors		OGRO 114 PB 8 mm	OGRO 114 PB FS 9 mm
	Door thickness	Size	Length	Length
e.g. 8100A	35-48	M5x50	114 PB-84	114 PB FS-84
e.g. 8100V	49-61	M5x65	114 PB-97	114 PB FS-97
	62-75	M5x80	114 PB-110	114 PB FS-110
	76-88	M5x95	114 PB-123	114 PB FS-123
	89-102	M5x110	114 PB-136	114 PB FS-136
	103-115	M5x125	114 PB-149	114 PB FS-149

## Screws and spindles for OGRO knob/lever handle sets

	OGRO 95 Screws for timber doors		OGRO 115 8 mm	OGRO 115 FS 9 mm
	Door thickness	Size	Length	Length
	25-34	M5x40	115-75	115 FS-75
	35-50	M5x50	115-90	115 FS-90
	51-65	M5x65	115-120	115 FS-20
	66-80	M5x80	115-135	115 FS-135

## Screws and spindles for OGRO knob/lever handles sets with A- or V-type lever

	OGRO 95 Screws for timber doors		OGRO 115 8 mm	OGRO 115 FS 9 mm
	Door thickness	Size	Length	Length
e.g. 8100A	35-50	M5x50	115-75	115 FS-75
e.g. 8100V	51-65	M5x65	115-90	115 FS-90
	66-80	M5x80	115-105	115 FS-105
	81-95	M5x95	115-120	115 FS-120
	96-110	M5x110	115-135	115 FS-135

# SPECIAL SPINDLES

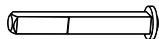
## Spindles for doors drilled on both sides



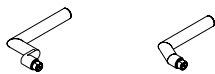
for standard lever handle types

### OGRO 116

8 mm



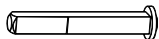
Door thickness	Length
up to 31	PR 116-55
32-61	PR 116-65
62-91	PR 116-80
102-131	PR 116-100



Lever handle types A and V

### OGRO 116

8 mm



Door thickness	Length
47-58	PR 116-55
67-78	PR 116-65
97-108	PR 116-80

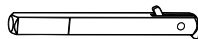
## Spindles for doors drilled on one side



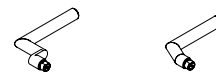
for standard lever handle types

### OGRO 117

8 mm



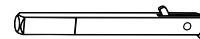
Door thickness	Length
up to 36	PR 117-57
37-64	PR 117-67
65-92	PR 117-81
93-104	PR 117-87



Lever handle types A and V

### OGRO 117

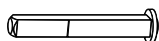
8 mm



Door thickness	Length
51-56	PR 117-57
57-68	PR 117-60
71-82	PR 117-67
85-96	PR 117-74
99-110	PR 117-81

### OGRO 116 FS

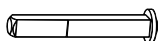
9 mm



Door thickness	Length
36-56	PR 116 FS-58
55-77	PR 116 FS-69
78-98	PR 116 FS-79
99-119	PR 116 FS-90

### OGRO 116 FS

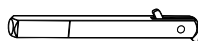
9 mm



Door thickness	Length
42-48	PR 116 FS-51
49-55	PR 116 FS-55
56-62	PR 116 FS-58
63-69	PR 116 FS-62
70-76	PR 116 FS-65
77-83	PR 116 FS-69
84-90	PR 116 FS-72
91-97	PR 116 FS-76
98-104	PR 116 FS-79
105-111	PR 116 FS-83

### OGRO 117

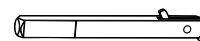
9 mm



Door thickness	Length
36-56	PR 117-58
57-77	PR 117-69
78-98	PR 117-79
99-119	PR 117-90

### OGRO 117

9 mm

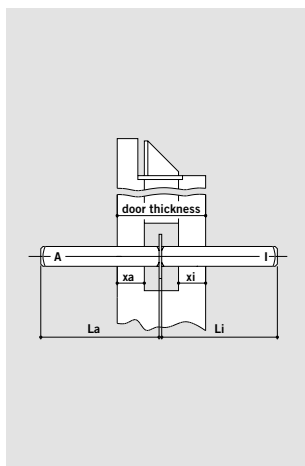


Door thickness	Length
56-62	PR 117-58
63-69	PR 117-62
70-76	PR 117-65
77-83	PR 117-69
84-90	PR 117-72
91-97	PR 117-76
98-104	PR 117-79
105-111	PR 117-83

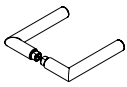
The table shows the door thickness and the door thicknesses and length of the spindle for a central lock position.

In the case of differing door thicknesses and/or asymmetric lock positions, the following information is required:

- for PR 116, PR 116 FS, PR 117 and PR 127 FS, the door thickness and dimension xa or xi
- for PR 120 FS, the door thickness and dimensions xa and xi



Spindles for emergency escape doors with split follower



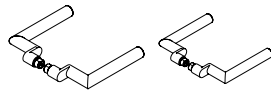
for standard lever handle types

**OGRO 120 FS**

9 mm



Door thickness	Length
30-44	120 FS-46
45-59	120 FS-53
60-74	120 FS-60
75-89	120 FS-67
90-104	120 FS-74
105-119	120 FS-81



Lever handle types A and V

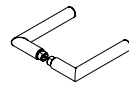
**OGRO 120 FS**

9 mm



Door thickness	Length
44-50	120 FS-46
51-57	120 FS-49
58-64	120 FS-53
65-71	120 FS-56
72-78	120 FS-60
79-85	120 FS-63
86-92	120 FS-67
93-99	120 FS-70
100-106	120 FS-74
107-113	120 FS-77

Spindles with spring assistance for emergency escape doors with split follower



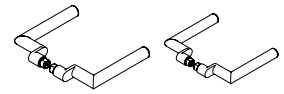
for standard lever handle types

**OGRO 120 FS Secure**

9 mm



Door thickness	Length
30-44	120 FS Secure-46
45-59	120 FS Secure-53
60-74	120 FS Secure-60
75-89	120 FS Secure-67
90-104	120 FS Secure-74
105-119	120 FS Secure-81



Lever handle types A and V

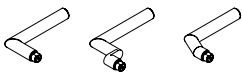
**OGRO 120 FS Secure**

9 mm



Door thickness	Length
44-50	120 FS Secure-46
51-57	120 FS Secure-49
58-64	120 FS Secure-53
65-71	120 FS Secure-56
72-78	120 FS Secure-60
79-85	120 FS Secure-63
86-92	120 FS Secure-67
93-99	120 FS Secure-70
100-106	120 FS Secure-74
107-113	120 FS Secure-77

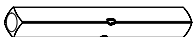
Doors drilled on one side



all lever handle types

**OGRO 127 FS**

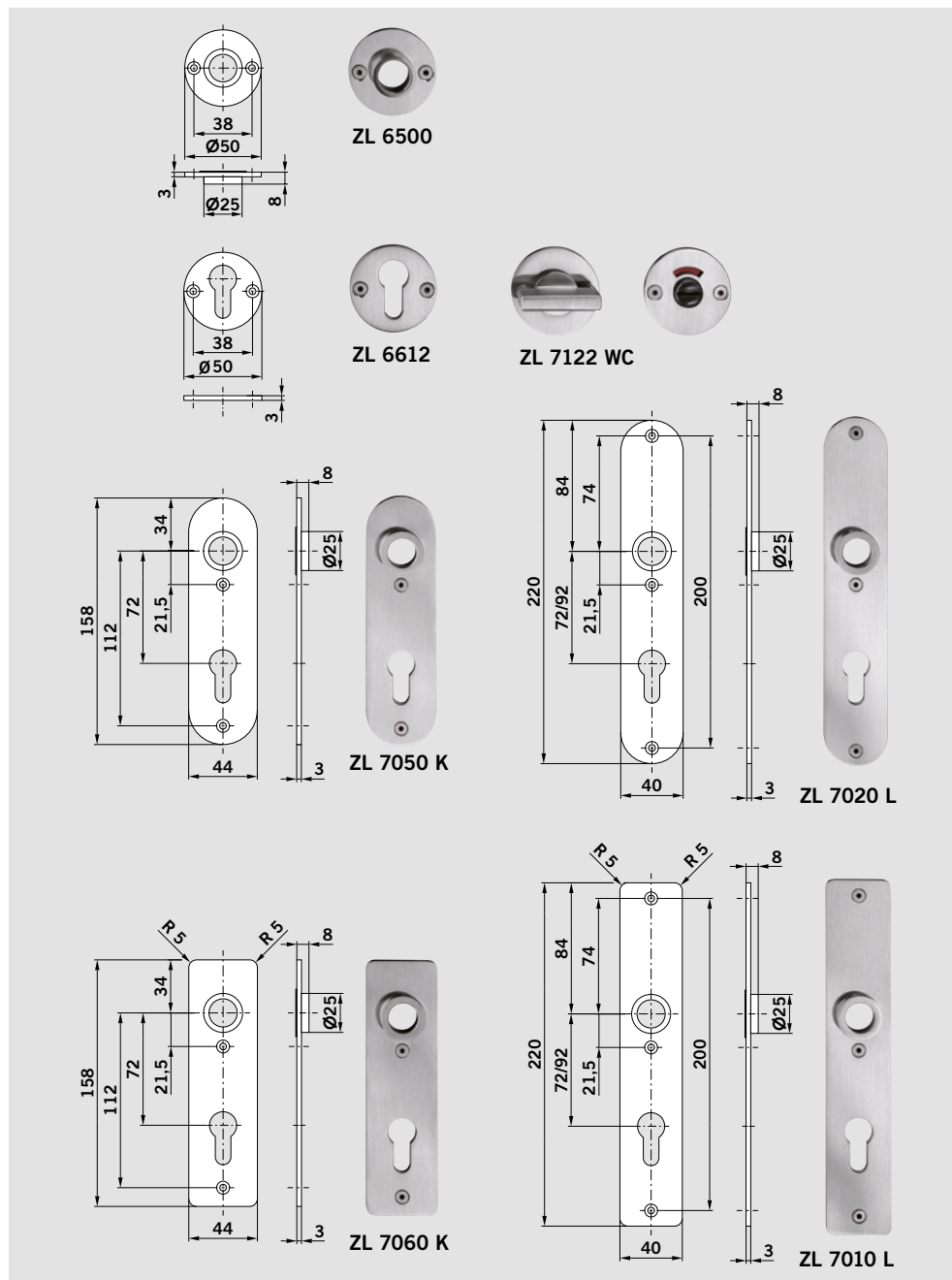
9 mm



Door thickness	Length
35-50	127 FS-52
51-65	127 FS-60
66-80	127 FS-68
81-95	127 FS-76

# OGRO LASER

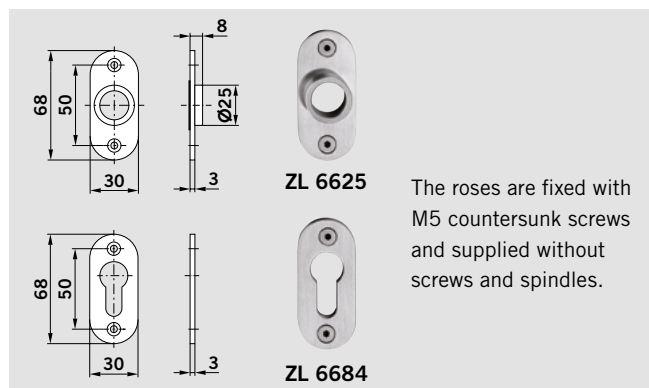
## ZL roses and backplates for timber doors



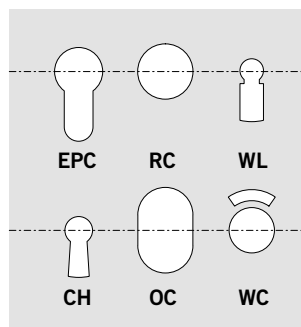
- The ZL components can be combined with all lever handles shown on pages 10/11 and 24/25.
- The installation on timber doors is done with hexagonal socket screws (M4) included in the scope of supply.
- The ZL roses and escutceons for narrow-stile doors are supplied without fixings or spindles.
- The ZL components are only supplied without return springs and lever handles respectively fixed dead knob securely bushed.
- The door thickness details for spindles and screws on pages 37-39 do not apply to the ZL system. Please enquire separately.
- Our laser technology allows us to produce an almost unlimited range of individual shapes for roses and backplates in the ZL system. Simply contact us to discuss your design. All you have to do is comply with a maximum material thickness of 8 mm and the measurements required for the lock (e.g. keyhole profiles, hole centres, ...).



### ZL roses for narrow-stile doors



### Keyhole profiles



Also available without keyhole (UN = unpierced). Other profiles on request.



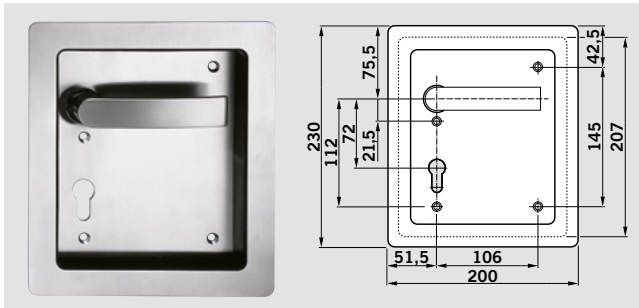
# FITTINGS FOR SPORTS HALL DOORS AND OPERABLE PARTITIONS

Fittings 8937A and 8937B are suitable for doors with a thickness > 45 mm.

Mounting depth 23 mm.  
Available with 8 mm or 9 mm spindle, EPC.

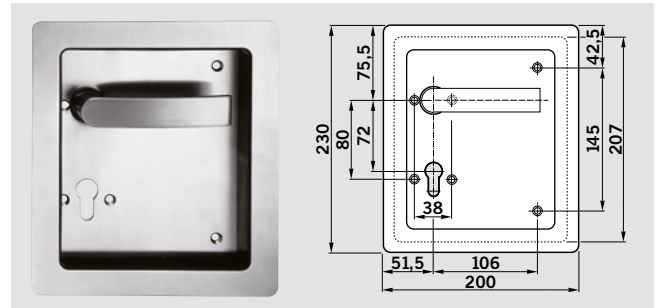
When ordering, please state the handing/direction of the lever handle.

## 8937A s/s **F**



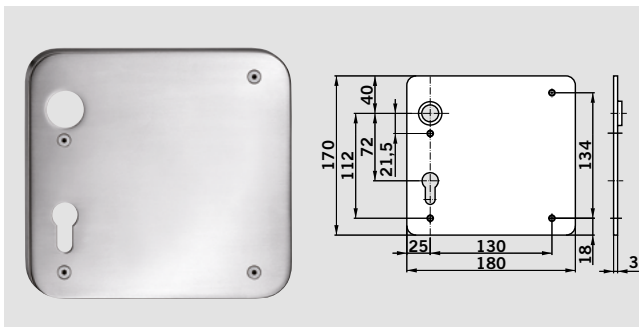
Fitting on the opposite side for short backplate

## 8937B s/s **F**



Fitting on the opposite side for roses

## Broad backplate OGRO 7691 in s/s



<b>broad backplate</b>	OGRO 7691
<b>broad knob backplate</b>	OGRO 7691 / 3020
<b>broad WC backplate</b>	OGRO 7691 WC

OGRO lever handles are securely bushed on the broad backplate with a retaining ring and supplied as a pre-assembled unit.

# ACCESSORIES

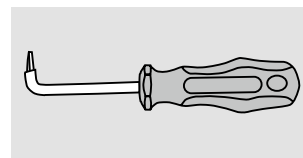
## BL 650 drilling template



The BL 650 drilling template assists in mounting the OGRO round roses, short, long and broad backplates on timber doors. Drills and locating pins for the various spindles and keyhole profiles are stored handy and space-savngly. A side handle supports keeping the template in a stable position to ensure precise drilling.

## OGRO 660 escutcheon lifter

The OGRO 660 escutcheon lifter supports easy and hazzle-free removal of roses and backplates while protecting the door leaf from scratches.



# OGRO SPECIFICATION TEXT

## OGRO 8XXX

OGRO project door furniture comply to the DIN EN 1906

Classification key aluminium:

4 | 7 | - | D1 | 0/1\* | 5 | 0 | A/B/U

Classification key stainless steel:

4 | 7 | - | C1 | 0/1\* | 5 | 0 | A/B/U

MPA certified longterm performance test with 2 million cycles. Tested according to DIN EN 1634-1. Environmental Product Declaration (EPD) according to DIN ISO 14025. 10 year warranty. High quality Satino surface. Minimal shadow gap with tiny distance between lever handle and rose. 4 return springs for a horizontal 0° lever handle position, non-handed. Securely bushed, maintenance free sleeve-bearing. The click-and-go installation technology enables for a quick and easy installation. Concealed fixings. Steel base parts with long support lugs to handle with great door thickness ranges. Maintenance free M5 screw connection. Equal 9 mm construction height for roses and backplates for timber and narrow-stile doors as well as window lever handles. Free play and free angular play ≤ 1,0 mm (DIN EN 1906). Dismantling of lever handles is possible. Assembly and disassembly possible with standard tools.

### Aluminium

- F1 anodised silver
- F2 champagne
- F3 brass
- F4 bronze
- F5 dark bronze
- alike stainless steel

### Stainless steel

- satin
- mirror polished
- PVD coated

### Versions

- approved for fire and smoke control doors according to EN 1634-1 and DIN 18273
- approved for emergency exit devices according to EN 179

### Type of lever handle set

- standard lever handle set (lever/lever)
- apartment door set (lever/knob)
- WC set

### Escutcheons

- round roses
- short backplates
- long backplates
- broad backplates
- oval roses for narrow-stile doors

\* when using a grub screw for the tight connection of the lever handles via spindle.

\*\*Subject to our current conditions of warranty and guarantee available at [www.dorma.com](http://www.dorma.com). Copies will also be sent out on request.





DORMA Deutschland GmbH  
DORMA Platz 1  
58256 ENNEPÉTAL  
GERMANY  
Phone +49 2333 793-0  
Fax +49 2333 793-4950  
[www.dorma.com](http://www.dorma.com)

DORMA Beschlagtechnik GmbH  
Donnenberger Straße 2  
42553 VELBERT  
GERMANY  
Phone +49 2053 495-0  
Fax +49 2053 495-100