

DAC 4404-M



Performance features

- » Compact SHEV control panel - AdComNet ready
- » Up to 4 A total drive current
- » Stabilised output voltage
- » Switchable SHEV safety functions: Fault equal to alarm, SHEV retriggering function and smoke detector remote reset
- » Option to combine SHEV / building alarm function
- » Integrated comfort functions for daily ventilation
- » 1 slot for an additional module
- » Optional connection to rain detectors or wind / rain sensors without an additional module
- » Connection of up to 8 SHEV operation panels and 14 fire detectors per line (Only detectors permitted by D+H may be used)
- » Min. 72 hr battery backup supply

Accessories

Batteries



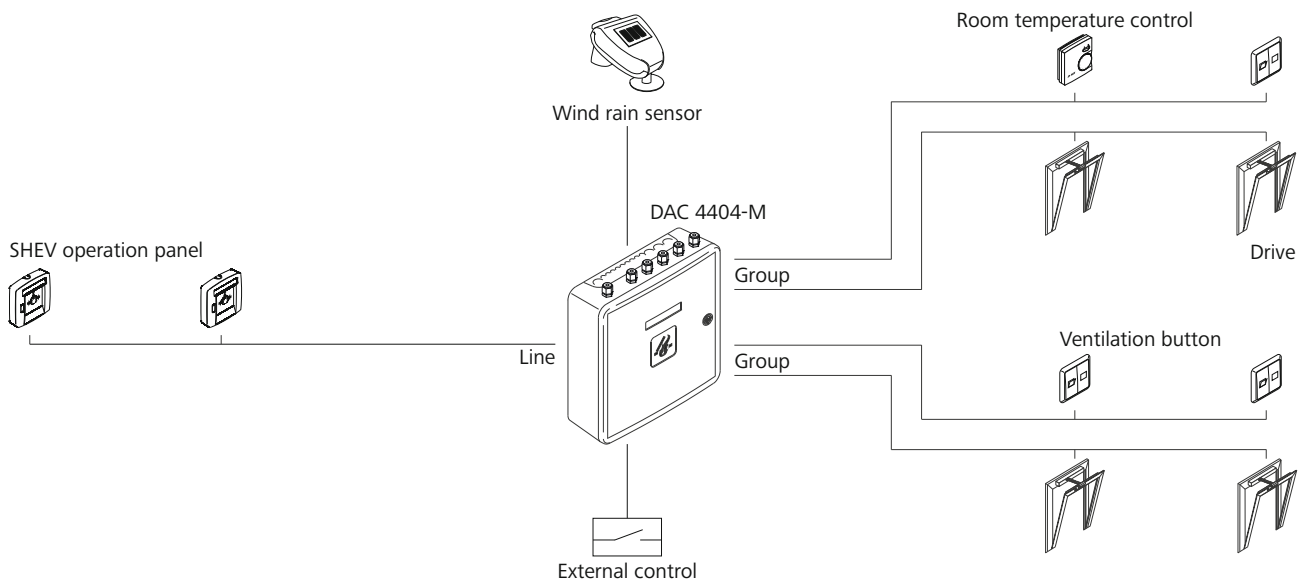
SHEV operation panels



Sensor systems



Example of application



Technical data

	DAC 4404-M
Supply	230 V AC / 50 Hz / 120 VA
Stand-by power	6.8 W
Output	24 V DC / 4 A
Mode of operation monitoring	Continuous duty
Mode of operation Alarm / Ventilation	Short-time duty 30 % duty cycle
Temperature range	-5 °C ... +40 °C
Line / Group	2 / 2
Battery type	Typ 2 (2x)

Batteries must be ordered separately.

Approvals / Certificates

Find out about permission details from your D+H Partner.



Article also available with the following permissions under other article numbers. Technical data may deviate.



Design

Type	Art. No.	Housing	Type of protection	W x H x D	Weight	Remark
DAC 4404-M	30.109.30	Plastic	IP 42	310 x 310 x 100 mm	5.53 kg	With alarm devices = Akku Typ 8 (2x)